

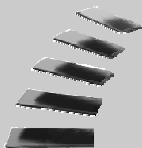
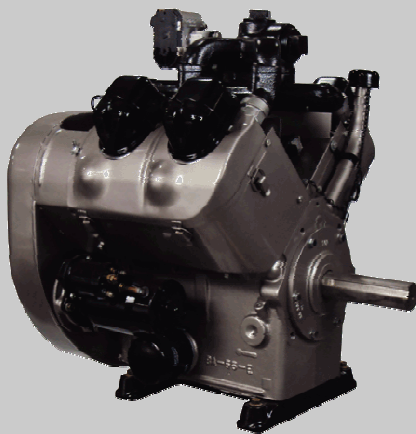


WISCONSIN MOTORS

Your Heavy-Duty Power Source

ADVANTAGE

- EPA and CARB Certified
- V-block configuration
- Overhead valve design
- Forged-steel crankshaft with tapered roller main bearings
- Cast iron cylinders
- Drive-by-wire throttle control
- Sequential multi-port fuel injection
- On-Board electronic engine management and diagnostics



Leading the way in
Industrial engine
Innovation

Wisconsin **V465E**

65 HP Gasoline



Your Heavy-Duty Power Source

WORLDWIDE PARTS AND SERVICE

We back our engines with a worldwide service network. Experienced Wisconsin representatives are always ready to meet your needs

Industrial by Design

EPA and CARB certified engines



WISCONSIN MOTORS

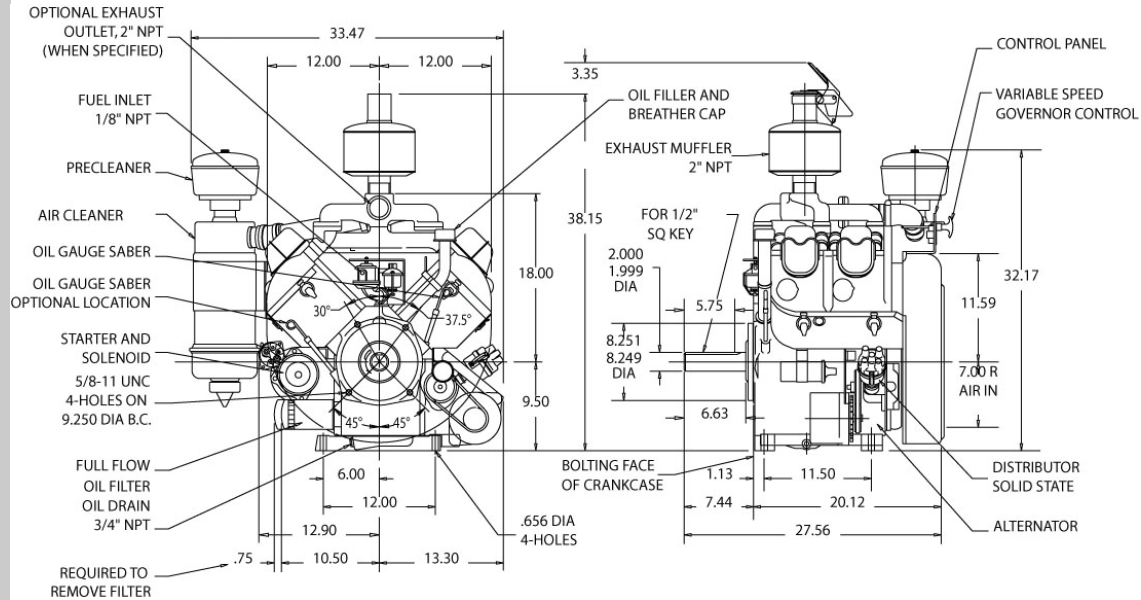
Your Heavy-Duty Power Source

Wisconsin V465E

Performance Specifications

Standard Features

- Four cylinder
- Overhead valve design
- Air-cooled
- Heavy-duty cast iron block
- Forged-steel crankshaft with tapered roller main bearings
- V-block configuration
- Cast iron cylinders
- Aluminum alloy pistons
- Forged steel connecting rods
- Electric starter with 65 amp belt-driven alternator or 30 amp flywheel alternator
- Heat resistant ally steel exhaust valves
- Drive-by-wire throttle control
- Precise engine speed control
- Sequential multi-port electronic fuel injection (gasoline only)
- On-board electronic engine management & diagnostics
- Post-catalyst O2 Sensor based diagnostics
- High volume oil pump
- Full-flow oil filter
- 20% better fuel economy than previous models



65HP Gasoline

POWER OUTPUT

Maximum dynamometer gross brake horsepower of the basic engine corrected to a pressure reading of 29.3 in. Hg (99 kPa) dry barometer and temperature of 77°F(25°C) when tested in accordance with SAE Test Code J1995 (June 95). Engine output can be demonstrated within 5% at the factory under standard rating conditions. Power will decrease 3% for each 1,000 ft.(305 m) above 500 feet (152.4 m) and 1% for each 10°F(12.2°C) above standard temperature of 77°F (25°C). For continuous operation, applications should be limited to 80% of power shown.

| Power Output : Gasoline | | | Torque | |
|-------------------------|------|------|--------|------|
| RPM | HP | KW | Ft.lbs | Kg-M |
| 1600 | 37.1 | 27.7 | 121.7 | 16.9 |
| 1800 | 42.8 | 31.9 | 125.0 | 17.4 |
| 2000 | 48.4 | 36.1 | 127.2 | 17.7 |
| 2200 | 52.7 | 39.3 | 125.8 | 17.5 |
| 2400 | 56.7 | 42.3 | 124.0 | 17.2 |
| 2600 | 60.0 | 44.7 | 121.2 | 16.8 |
| 2800 | 63.1 | 47.1 | 118.4 | 16.4 |
| 3000 | 65.0 | 48.5 | 113.8 | 15.8 |

Bore — 3.75 in. (95 mm)
Stroke — 4.00 in. (102mm)
Displacement—177.0 cu. in. (2901 cc)

EPA and CARB certified



The Wisconsin V465E is EPA and CARB certified. Wisconsin Motors is committed to a cleaner tomorrow beginning today.

Wisconsin Motors, LLC
 2021 MacArthur Road
 Waukesha, WI 53188
 1-800-932-2858

www.wisconsinmotors.com