

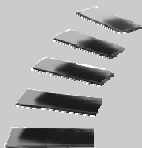


# WISCONSIN MOTORS

*Your Heavy-Duty Power Source*

## ADVANTAGE

- Four Cylinder
- Air cooled
- V-block configuration
- Overhead valve design
- Forged-steel crankshaft with tapered roller main bearings
- Cast iron cylinders
- Aluminum alloy pistons
- Exhaust valve rotators



Leading the way in  
Industrial engine  
Innovation

## Wisconsin **V465D**

65.9 HP Gasoline



## Your Heavy-Duty Power Source

### WORLDWIDE PARTS AND SERVICE

We back our engines with a worldwide service network. Experienced Wisconsin representatives are always ready to meet your needs

## Industrial by Design

EPA and CARB certified engines



# WISCONSIN MOTORS

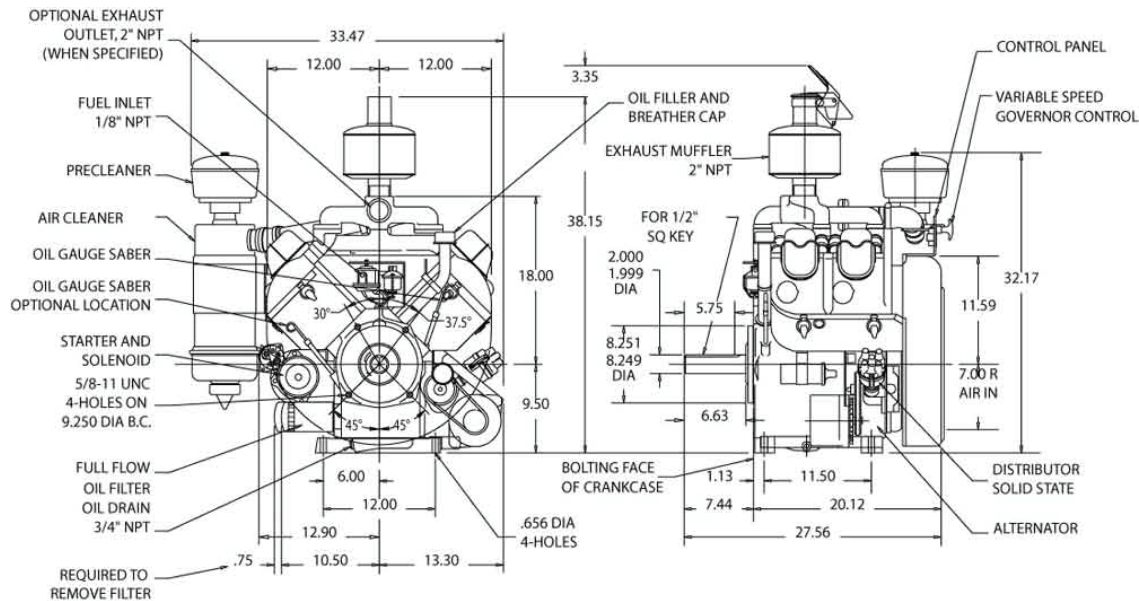
Your Heavy-Duty Power Source

## Wisconsin V465D

### Performance Specifications

#### Standard Features

- Four cylinder
- Overhead valve design
- Air-cooled
- Heavy-duty cast iron block
- Forged-steel crankshaft with tapered roller main bearings
- V-block configuration
- Cast iron cylinders
- Aluminum alloy pistons
- Exhaust valve rotators
- Electric starter with 65 amp belt-driven alternator or 30 amp flywheel alternator
- Heat resistant ally steel exhaust valves
- Instrument panel
- Solid state ignition with side mounted or top mounted distributor
- High temperature safety switch
- Dry type air cleaner with pre-cleaner
- Centrifugal flyweight governor



#### 65.9 HP Gasoline

**Bore — 3.75 in. (95 mm)**  
**Stroke — 4.00 in. (102mm)**  
**Displacement—177.0 cu. in. (2901 cc)**

#### POWER OUTPUT

Maximum dynamometer gross brake horsepower of the basic engine corrected to a pressure reading of 29.3 in. Hg (99 kPa) dry barometer and temperature of 77°F(25°C) when tested in accordance with SAE Test Code J1995 (June 95). Engine output can be demonstrated within 5% at the factory under standard rating conditions. Power will decrease 3% for each 1,000 ft.(305 m) above 500 feet (152.4 m) and 1% for each 10°F(12.2°C) above standard temperature of 77°F (25°C). For continuous operation, applications should be limited to 80% of power shown.

Power Output : Gasoline				
RPM	HP	KW	Torque	
			Ft.lbs	Kg-M
1600	41.6	31.0	136.6	18.89
1800	47.5	35.4	138.6	19.16
2000	52.4	39.1	137.6	19.02
2200	56.7	42.3	135.3	18.71
2400	60.0	44.8	131.2	18.14
2600	63.0	47.0	127.2	17.59
2800	64.5	49.2	121.0	16.73
3000	65.9	49.2	115.3	15.94

Wisconsin Motors, LLC  
 2021 MacArthur Road  
 Waukesha, WI 53188  
 1-800-932-2858

www.wisconsinmotors.com