

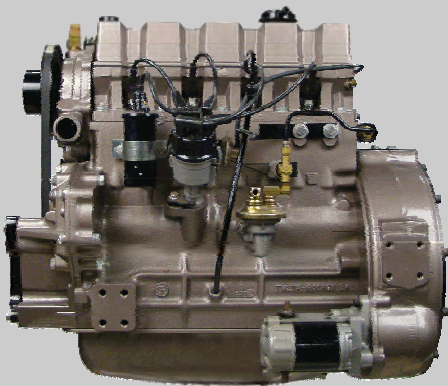


WISCONSIN MOTORS

Your Heavy-Duty Power Source

ADVANTAGE

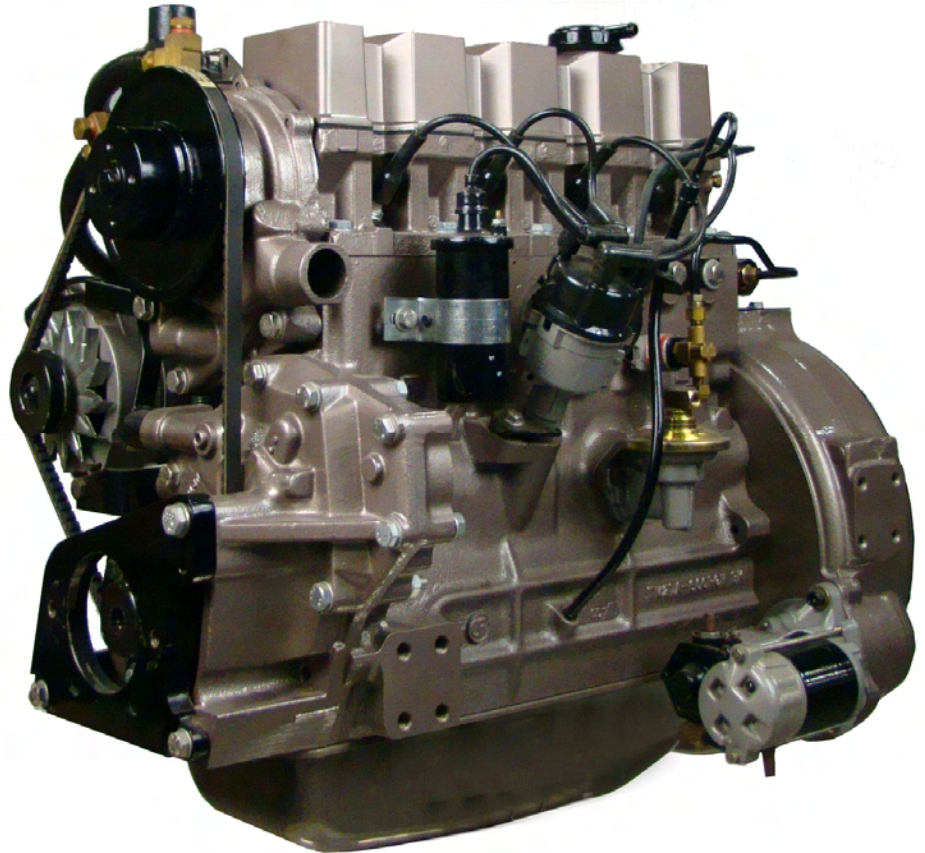
- Four Cylinder
- Overhead valve design
- Liquid-Cooled
- Heavy-Duty Cast-Iron Block
- Heavy-Duty Cast-Iron Crankcase
- High volume water pump
- 70% part interchangeability



Leading the way in industrial engine innovation

Continental **TM27**

72 HP Gasoline, Dual Fuel and LPG Configurations



Your Heavy-Duty Power Source

WORLDWIDE PARTS AND SERVICE

We back our engines with a world wide service network. Experienced Continental representatives are always ready to meet your needs.

Industrial by Design

EPA and CARB certified engines



WISCONSIN MOTORS

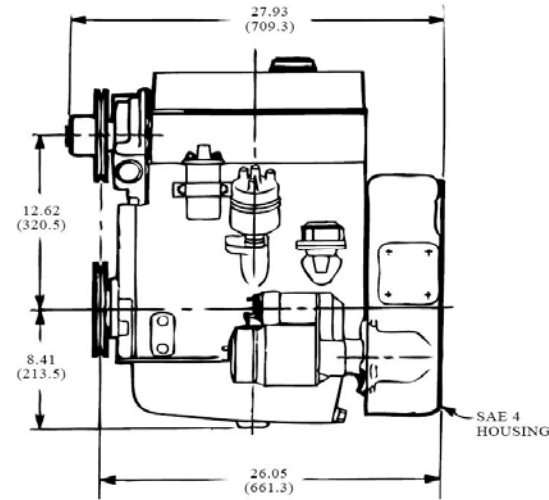
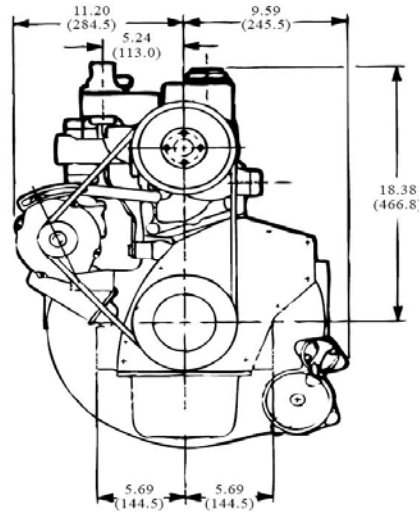
Your Heavy-Duty Power Source

Continental **TM27**

Performance Specifications

Standard Features

- Liquid-cooled
- Heavy-duty cast iron block & cylinder heads
- Five main bearings
- Heavy-duty cast iron cylinder block and crankcase
- Identical mounting points for gas and diesel models
- 70% parts interchangeability between all TM models
- High volume water pump
- 63 amp. alternator with internal regulator
- SAE #4 flywheel housing
- High volume oil pump
- Full-flow oil filter
- Mechanical governor
- Solid state ignition with vacuum advance
- Resistor spark plugs and wires
- Maximum power updraft carburetor



72 HP Gasoline, Dual Fuel and LPG

Bore — 3.58 in. (91 mm)
 Stroke — 4.06 in. (103.2 mm)
 Piston Displacement—164.7 cu. in. (2.7 L)

POWER OUTPUT

Maximum dynamometer gross brake horsepower of the basic engine corrected to a pressure reading of 29.3 in. Hg (99 kPa) dry barometer and temperature of 77°F(25°C) when tested in accordance with SAE Test Code J1995 (June 95). Engine output can be demonstrated within 5% at the factory under standard rating conditions. Power will decrease 3% for each 1,000 ft.(305 m) above 500 feet (152.4 m) and 1% for each 10°F(12.2°C) above standard temperature of 77°F (25°C). For continuous operation, applications should be limited to 80% of power shown.

Power Output : Gasoline				
RPM	HP	KW	Torque	
			Ft.lbs	Kg-M
1500	41.9	31.3	146.7	20.3
1800	50.4	37.6	147.0	20.3
2000	55.6	41.5	146.0	20.2
2400	64.7	48.3	141.6	19.6
2600	67.9	50.6	137.1	19.0
2800	70.1	52.3	131.5	18.2
3000	72.0	53.3	125.2	17.3

Wisconsin Motors, LLC
 2021 MacArthur Road
 Waukesha, WI 53188
 1-800-932-2858

www.wisconsinmotors.com