



MANN+HUMMEL PreLine® **Pre-filter for diesel fuel**

PreLine®: Excellent water separation for modern diesel engines

The injection pressure in modern diesel engines has risen continuously in recent years due to higher performance requirements. The injection systems used have very high requirements regarding cleanliness of the fuel. This means the fuel should contain hardly any particles and practically no water (condensate).

MANN+HUMMEL uses high performance multigrade media for the filtration of the fuel.

The MANN+HUMMEL PreLine® series separates more than 93 % according to ISO 4020 of water present in the fuel and so fulfils the requirements of leading injection system producers.

The perfectly matched interaction between the PreLine® pre-filter and the MANN+HUMMEL main filter offers maximum protection for the sensitive injection system and contributes to the economic running of your engine.

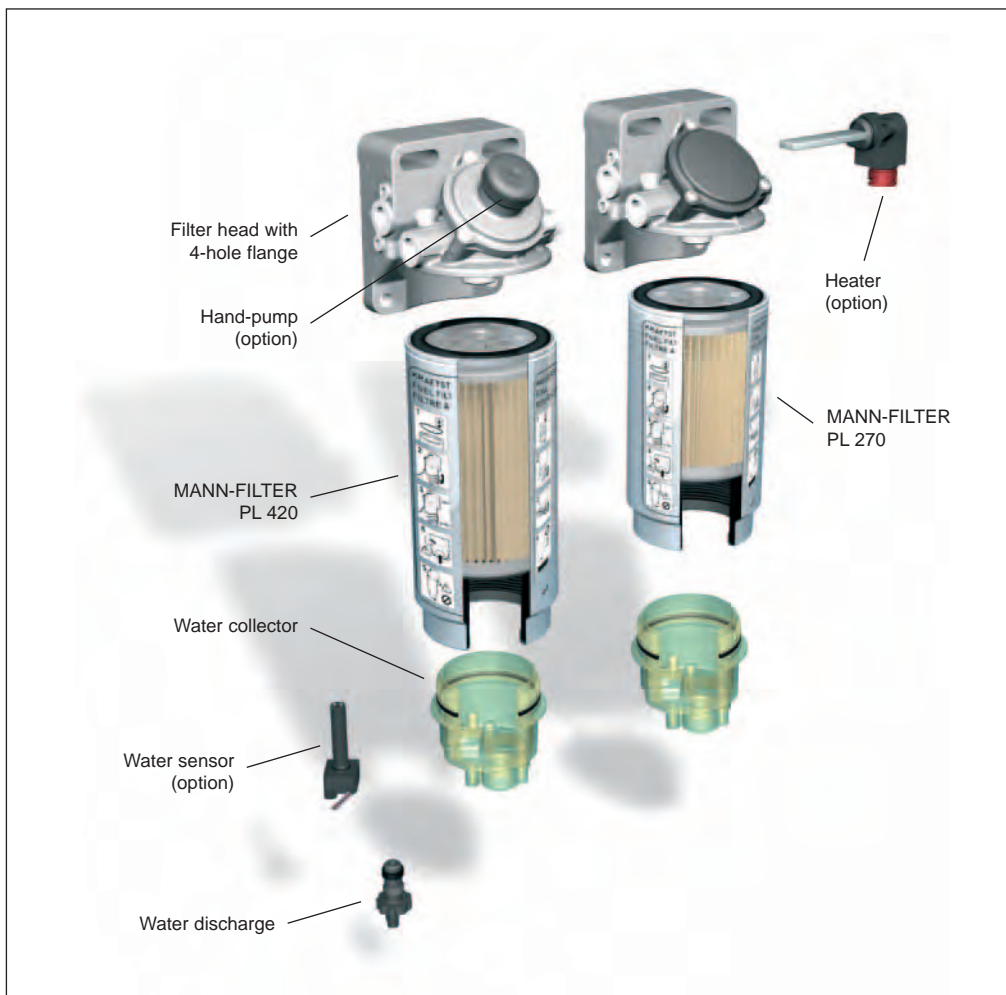


PreLine® 270



PreLine® 420 with heater and water sensor

The MANN+HUMMEL modular PreLine® system



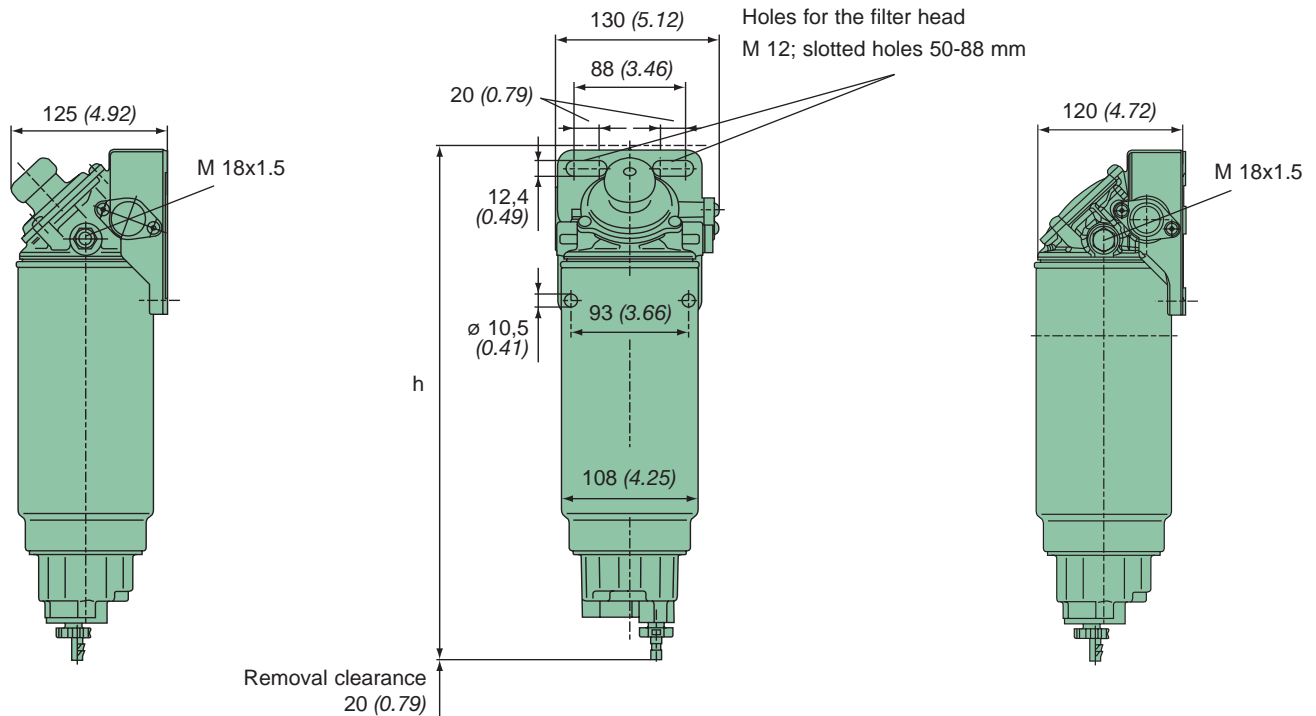
The advantages at a glance:

- Excellent water separation
- Ideal protection for the injection system
- Protection for the fuel pump
- Reduced wear
- Extended service life for the main filter
- Easy to service
- Easy filter change

The PreLine® filter system is designed for all vehicles with diesel engines up to a maximum line pressure of 4 bar. The filter is usually fitted in the area of the low pressure circuit before the fuel pump. The integration of additional functions such as a hand-pump, heater and water sensor allows the PreLine® pre-filter system to be matched to your specific vehicle requirements.

Fuel inline filter

PreLine® pre-filter and water separator



PreLine® with hand-pump

PreLine® without hand-pump

Valid for all PreLine® variations:

- Water separation according to ISO 4020: > 93 %
- Operating pressure: 4 bar
- Separation efficiency acc. to ISO/TR 13 353 for 3-5 µm particles:
- Multigrade medium PF: > 45%
- Multigrade medium PFO: > 10%

Accessories:

- Heater for fitting in the filter head: order no. 29 017 00 202 (24 V, 350 W; temperature switching point 5 °C, switches on and off independently)
- Water collector: order no. 66 606 12 982
- Assembly tool: order no. LS 7/4

Order no.	Type	Nominal flow rate [l/h] [gph]	Dimensions in mm (Dimensions in inches) h	MANN-FILTER		Filter head	Water collector
				Multigrade Medium PF	Multigrade Medium PFO		
66 606 62 251	PreLine® 420	420 (110.96)	406 (15.98)	PL 420/1	–	with pump	with sensor
66 606 62 255				PL 420/1	–	with pump	without sensor
66 606 62 257				PL 420/1	–	without pump	with sensor
66 606 62 253				PL 420/1	–	without pump	without sensor
66 606 62 261				–	PL 420	with pump	with sensor
66 606 62 265				–	PL 420	with pump	without sensor
66 606 62 267				–	PL 420	without pump	with sensor
66 606 62 263				–	PL 420	without pump	without sensor

Order no.	Type	Nominal flow rate [l/h] [gph]	Dimensions in mm (Dimensions in inches) h	MANN-FILTER		Filter head	Water collector
				Multigrade Medium PF	Multigrade Medium PFO		
66 604 62 251	PreLine® 270	270 (71.,33)	326 (12.83)	PL 270/1	–	with pump	with sensor
66 604 62 255				PL 270/1	–	with pump	without sensor
66 604 62 257				PL 270/1	–	without pump	with sensor
66 604 62 253				PL 270/1	–	without pump	without sensor
66 604 62 261				–	PL 270	with pump	with sensor
66 604 62 265				–	PL 270	with pump	without sensor
66 604 62 267				–	PL 270	without pump	with sensor
66 604 62 263				–	PL 270	without pump	without sensor



MANN+HUMMEL Industrial Filters

The MANN+HUMMEL Group is an international company with its headquarters in Ludwigsburg, Germany. The group employs approx. 9,500 people worldwide at more than 40 locations.

The company develops, produces and sells technically complex components for the

automotive industry and many other fields. A key area is high quality filtration products for vehicles, engines and industrial applications. The OEM business with global market leaders and producers of vehicles, machines and installations defines the quality and performance of the group. Filters for the

international aftermarket are sold under numerous international brands as well as under the MANN-FILTER brand.

The Industrial Filters Business Unit with its headquarters in Speyer, Germany is specialised in meeting the requirements of off-highway vehicle

and - engine applications, compressed air and vacuum technology, mechanical engineering and plant construction. For these and other industrial fields MANN+HUMMEL Industrial Filters offers high performance products for the filtration and separation of air, gases and liquids.



MANN+HUMMEL GMBH, Business Unit Industrial Filters
 67346 Speyer, Germany, Telephone +49 (62 32) 53-80, Fax +49 (62 32) 53-88 99
 E-Mail: if.info@mann-hummel.com, Internet: www.mann-hummel.com