

# KOHLER® Diesel

Accessories Catalog  
6.7-64.4 hp Engines



**KOHLER®**

## CABLE CONTROL



### Cable Control For KD350

#### Kit Part No. EDACC0001-S

Reference # 9989-380

<b>Kit Contents</b>	<b>Description</b>	<b>Qty</b>
ED0081501430-S	CABLE BRACKET	1
ED0091801910-S	CABLE GUIDE M6	2
ED0097300120-S	SOCKET HEAD ALLEN BOLT M6 X 1 X 20MM	2
ED0058301190-S	CABLE STOP	2

#### **Fits Models:**

KD350

## CABLE CONTROL



### Cable Control For KD400 & KD440

#### Kit Part No. EDACC0002-S

Reference # 9989-380

<b>Kit Contents</b>	<b>Description</b>	<b>Qty</b>
ED0085101520-S	CABLE BRACKET	1
ED0091801910-S	CABLE GUIDE M6	2
ED0097300120-S	SOCKET HEAD ALLEN BOLT M6 X 1 X 20MM	2
ED0058301190-S	CABLE STOP	2
	78" WIRING HARNESS EXTENSION	

#### **Fits Models:**

KD400  
KD440

## CABLE CONTROL



### Cable Control For KD625-2

#### Kit Part No. EDACC0003-S

Reference # 9997-139

<b>Kit Contents</b>	<b>Description</b>	<b>Qty</b>
ED0052001080-S	CABLE LEVER	1
ED0091801920-S	CABLE GUIDE M8	2
ED0017700420-S	BOLT/PLUG M8 X 1.25 X 10MM	1
ED0058301190-S	CABLE STOP	2
ED0046700580-S	COPPER WASHER	1

#### **Fits Models:**

KD625-2

## CABLE CONTROL



### Cable Control For KD625-3

#### Kit Part No. EDACC0004-S

Reference # 9996-582

<b>Kit Contents</b>	<b>Description</b>	<b>Qty</b>
ED0052001780-S	CABLE LEVER	1
ED0091801920-S	CABLE GUIDE M8	2
ED0017700420-S	BOLT/PLUG M8 X 1.25 X 10MM	1
ED0058301190-S	CABLE STOP	2
ED0046700580-S	COPPER WASHER	1

#### **Fits Models:**

KD625-2



## WIRING HARNESS



### 78 INCH WIRING HARNESS EXTENSION

**Kit Part No. EDACC0005-S**

Reference # 2185-882

<b>Kit Contents</b>	<b>Description</b>	<b>Qty</b>
ED0021858820-S	78" WIRING HARNESS EXTENSION	1

#### **Fits Models:**

KD625-2  
KD625-3  
KD350  
KD400  
KD440

## WIRING HARNESS

---



### 78 INCH WIRING HARNESS EXTENSION

**Kit Part No. EDACC0006-S**

Reference #2185-962

<b>Kit Contents</b>	<b>Description</b>	<b>Qty.</b>
ED0021859620-S	78" WIRING HARNESS EXTENSION	1

#### **Fits Models:**

KD477-2  
KDW702  
KDW1003  
KDW1404  
KDW1603  
KDW2204  
KDW2204T

## CYLINDER HEAD TEMPERATURE SENSOR

---



### Cylinder Head Temperature Sensor

#### Kit Part No. EDACC0007-S

Reference #9997-609

<b>Kit Contents</b>	<b>Description</b>	<b>Qty.</b>
ED0091951040-S	TEMPERATURE SENSOR	1
ED0033002270-S	EXTENDED NUT M10 X 1.5 X 25MM	1
ED0075650110-S	LOCK WASHER M10	1
ED0017800030-S	BOLT M10 X 1.5X 18MM	1

#### **Fits Models:**

KD625-2  
KD625-3



## SAFETY SHUTDOWN



### Safety Shutdown for LOP & HHT

#### Kit Part No. EDACC0008-S

Reference # SK5000

Kit Contents	Description	Qty
ED0091951040-S	TEMPERATURE SENSOR	1
ED0033002270-S	EXTENDED NUT M10 X 1.5 X 25MM	1
ED0075650110-S	LOCK WASHER M10	1
ED0017800030-S	BOLT M10 X 1.5X 18MM	1
ED0021858910-S	STANDARD AIR COOLED ENGINE HARNESS	1
ED0019010480-S	BANJO BOLT	1
ED0046700580-S	COPPER WASHER	2
ED0000-Z3C-S	1/8" NPT 45 DGREE STREET L	1
ED0000-D2F-S	SHUTDOWN WIRING HARNESS	1
ED0000-S4Y-S	6 AMP AUTO RESET CIRCUIT BREAKER	1
ED0000-P1E-S	OIL SWITCH PORT ADAPTER	1
ED0000-Z1Q-S	HOBBS 2 POLE OIL PSI SWITCH	1

#### **Fits Models:**

KD625-2

# GLOW PLUG KIT



## Manifold Glow Plug Kit

### Kit Part No. EDACC0009-S

Reference # SK1209

Kit Contents	Description	Qty.
ED0021000550-S	12 VOLT GLOW PLUG (SHIELDED COIL)	1
ED0071951120-S	GLOW PLUG SWITCH (PUSH MOMENTARY ON)	1
ED0032400040-S	M5 X 0.8 NUT	1
ED0075650030-S	M5 LOCK WASHER	1
ED0000-S4Z-S	SWITCH MOUNT BRACKET	1

#### NEEDED MATERIAL NOT SUPPLIED

BOLT M5 X 0.8 X 16MM	4
# 10 RING TERMINAL	1
3/8" RING TERMINAL	1
10 AWG RED WIRE	6 FT
0.25" I.D. WIRE LOOM	6 FT
NYLON TIE STRAPS	8

#### Fits Models:

KD625-2

## GLOW PLUG KIT



### Manifold Glow Plug Kit Kit Part No. EDACC0010-S

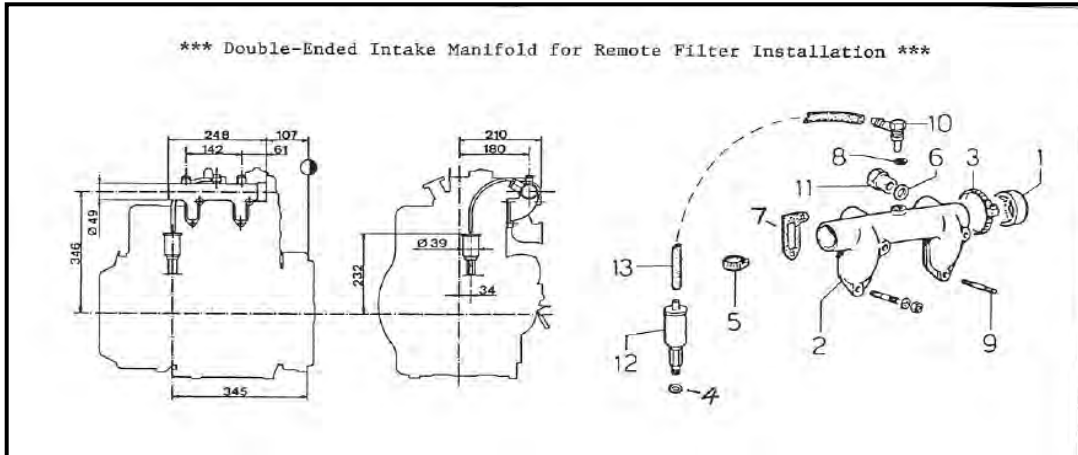
Reference # SK1231

Kit Contents	Description	Qty.
ED0087412070-S	AIR FILTER SUPPORT (MACHINED)	1
ED0044900960-S	GASKET INTAKE	1
ED0021000890-S	12 VOLT GLOW PLUG (SHIELDED COIL)	2
ED0071951120-S	GLOW PLUG SWITCH (PUSH MOMENTARY ON)	1
ED0097900280-S	M5 X 10MM SCREW	1
ED0075650030-S	M5 LOCK WASHER	1
ED0076250070-S	M5 FLAT WASHER	1
ED0000-S4Z-S	SWITCH MOUNT BRACKET	1
ED0063703230-S	GLOW PLUG JUMPER PLATE	1
<b>NEEDED MATERIAL NOT SUPPLIED</b>		
	1/4" RING TERMINAL 16-14 AWG	
	# 8 RING TERMINAL 12-10 AWG	4
	# 8 RING TERMINAL 16-14 AWG	1
	3/16" RING TERMINAL 12-10 AWG	1
	12 AWG RED WIRE	4FT
	0.25" I.D. WIRE LOOM (OPTIONAL)	4FT
	14 AWG BLACK WIRE	0.5FT

#### Fits Models:

KD350  
KD400  
KD440

## MANIFOLD FOR REMOTE



### Manifold For Remote Air Cleaner

### Kit Part No.EDACC0011-S

Reference # 9993-388

Kit Contents	Description	Qty.
ED0021450130-S	END CAP (RUBBER) (#1)	1
ED0024863960-S	INTAKE MANIFOLD (#2)	1
ED0036300230-S	CLAMP (#3)	2
ED0046700140-S	COPPER WASHER (#4)	1
ED0036301200-S	CLAMP (#5)	1
ED0046700270-S	COPPER WASHER (#6)	2
ED0044200200-S	INTAKE GASKET (#7)	2
ED0046700610-S	COPPER WASHER (#8)	1
ED0067800330-S	M8 X 90MM STUD (#9)	2
ED0073011110-S	FITTING (#10)	1
ED0089650710-S	PLUG M22 X 1.5 (#11)	2
ED0048890150-S	BREATHER (#12)	1
ED0094000910-S	HOSE (#13)	1

#### Fits Models:

KD625-2

## MUFFLER



### Inclined Muffler And Elbow (#1 PTO Outlet)

#### Kit Part No. EDACC0012-S

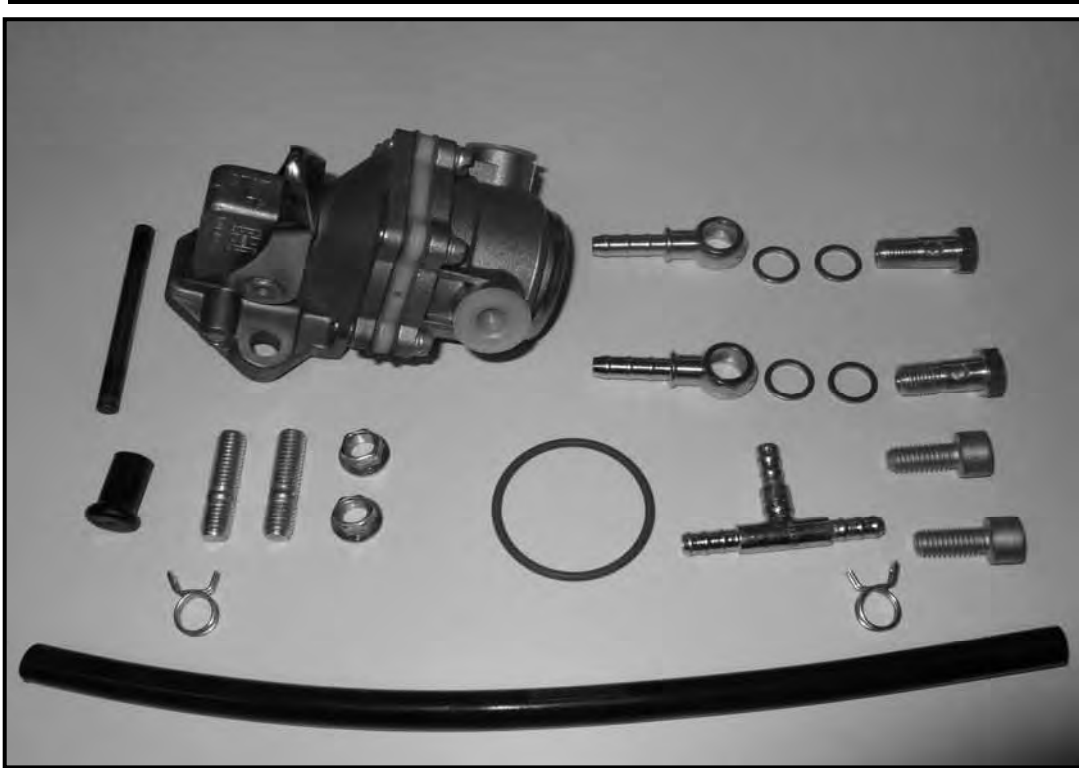
Reference # 9994-727

Kit Contents	Description	Qty.
ED0054602320-S	MUFFLER	1
ED0091700500-S	OUTLET ELBOW	1
ED0069271280-S	MUFFLER GUARD	1
ED0045000790-S	INLET GASKET	1
ED0017700010-S	BOLT M8 X 1.25 X12	3
ED0017700050-S	BOLT M8 X 1.25 X 22	1
ED0017700040-S	BOLT M8 X 1.25 X 20	1
ED0032400180-S	NUT M8 X 1.25	1
ED0075650070-S	LOCK WASHER M8	5
ED0076250100-S	FLAT WASHER M8	3
ED0076250200-S	FLAT WASHER M10	1

#### **Fits Models:**

KD625-2

## FUEL LIFT PUMP



### Fuel Lift Pump For KD350

#### Kit Part No. EDACC0013-S

Reference # 9989-486

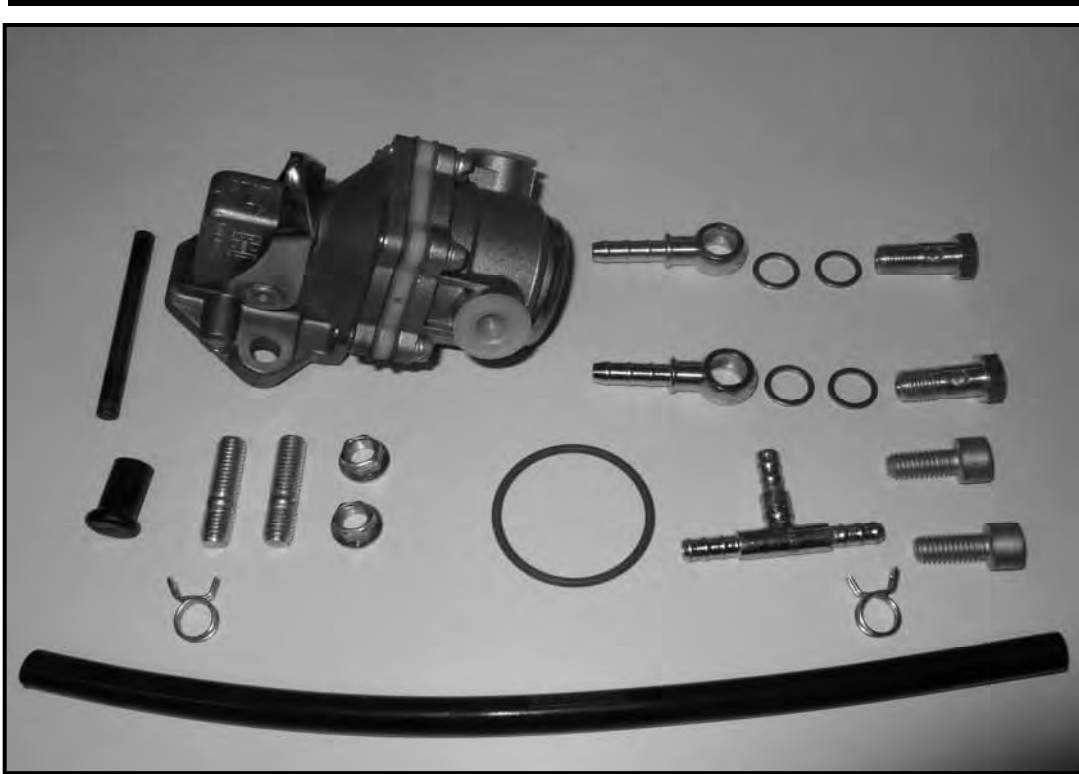
Kit Contents	Description	Qty
ED0065850960-S	FUEL FEED PUMP	1
ED0012000870-S	O-RING	1
ED0067800080-S	STUD M8 X 1.25 X 32MM	2
ED0072701040-S	BANJO FITTING	2
ED0046700590-S	COPPER WASHER	4
ED0019010300-S	BANJO BOLT	2
ED0072001650-S	FUEL FEED PUMP PUSH ROD	1
ED0093758720-S	FUEL HOSE 5MM X 10MM X 250MM	1
ED0097300250-S	SOCKET HEAD ALLEN BOLT M8 X 1.25 X 28 MM	2
ED0032401640-S	NUT M8	2
ED0073010520-S	FUEL HOSE TEE	1
ED0036301130-S	HOSE CLAMP 10MM - 12.5 MM	2
ED0021450370-S	RUBBER BANJO CAP	1

#### Fits Models:

KD350



# FUEL LIFT PUMP



## Fuel Lift Pump For KD400

### Kit Part No. EDACC0014-S

Reference # 9989-486

78" WIRING HARNESS EXTENSION

<b>Kit Contents</b>	<b>Description</b>	<b>Qty</b>
ED0065850960-S	FUEL FEED PUMP	1
ED0012000870-S	O-RING	1
ED0067800080-S	STUD M8 X 1.25 X 32MM	2
ED0072701040-S	BANJO FITTING	2
ED0046700590-S	COPPER WASHER	4
ED0019010300-S	BANJO BOLT	2
ED0072007350-S	FUEL FEED PUMP PUSH ROD	1
ED0093758720-S	FUEL HOSE 5MM X 10MM X 250MM	1
ED0097300250-S	SOCKET HEAD ALLEN BOLT M8 X 1.25 X 28 MM	3
ED0032401640-S	NUT M8	2
ED0073010520-S	FUEL HOSE TEE	1
DIPSTICK	HOSE CLAMP 10MM - 12.5 MM	2
ED0021450370-S	RUBBER BANJO CAP	1

### **Fits Models:**

KD400  
KD440

# FUEL TANK



## 10 Liter Fuel Tank For GRP 9

### Kit Part No. EDACC0015-S

Reference # 9997-125

Kit Contents	Description	Qty
ED0081020850-S	FUEL TANK 10 LITER	1
ED0036160850-S	FUEL TANK STRAP	2
ED0096000570-S	STEEL TANK STRAP SPACER	4
ED0047010060-S	RUBBER SHIM	1
ED0088660180-S	TANK MT. BRACKET	1
ED0097300260-S.	SOCKET HEAD ALLEN BOLT M8 X 1.25 X 20 MM	4
ED0075650070-S	LOCK WASHER M8	4
ED0037300150-S	TANK FUEL FILTER KIT	1
ED0015570190-S	NUT M6 NOT THREADS	2
ED0015570200-S	NUT M6 X 1.25 THREADED	2
ED0097301390-S	SOCKET HEAD ALLEN BOLT M6 X 1 X 60MM	2
ED0093752760-S	INLET HOSE ASSEMBLY	1
ED0090430150-S	FUEL TANK CAP	1

### Fits Models

KD625-2

# FUEL TANK



## 14.5 Liter Fuel Tank For GRP 9

### Kit Part No. EDACC0016-S

Reference # 9998-092

Kit Contents	Description	Qty
ED0032400180-S	NUT M8 X 1.25	4
ED0081030210-S	FUEL TANK 15 LITER	1
ED0036160820-S	FUEL TANK STRAP	2
ED0096000570-S	STEEL TANK STRAP SPACER	2
ED0083150160-S	RUBBER SHIM	1
ED0080420240-S	TANK MT. BRACKET	1
ED0017700050-S	HEX HEAD BOLT M8 X 1.25 X 22 MM	4
ED0063705150-S	TANK MT. PLATE	1
ED0037300150-S	TANK FUEL FILTER KIT	1
ED0015570190-S	NUT M6 NOT THREADED	2
ED0015570200-S	NUT M6 X 1.25 THREADED	2
ED0097301390-S	SOCKET HEAD ALLEN BOLT M6 X 1 X 60MM	2
ED0093753080-S	INLET HOSE ASSEMBLY	1
ED0086360010-S	VIBRATION ISOLATOR	4

### Fits Models:

KD625-2

## REMOTE OIL FILTER



### Remote Oil Filter Kit

#### Kit Part No. EDACC0017-S

Reference # 161434

<b>Kit Contents</b>	<b>Description</b>	<b>Qty</b>
ED0012000420-S	O RING	1
ED0012020360-S	O RING	1
ED0019011550-S	BANJO BOLT M14 X 1.0	2
ED0021751310-S	OIL FILTER ELEMENT	1
ED0038551350-S	FLANGE ENGINE SIDE	1
ED0046700610-S	COPPER WASHER	5
ED0048963200-S	SPIN ON FILTER HEAD	1
ED0059530480-S	UNIION (FOR ENGINE SIDE FLANGE)	1
ED0072650360-S	UNION (ENGINE SIDE FLANGE)	1
ED0094852200-S	HOSE ASSEMBLY	2

#### **Fits Models:**

KDW702  
KDW1003  
KDW1404

## DIPSTICK



### Extended Dipstick

#### Kit Part No. EDACC0018-S

Reference # 9990-250

78" WIRING HARNESS EXTENSION

<b>Kit Contents</b>	<b>Description</b>	<b>Qty</b>
ED0012002660-S	O RING	2
ED0014002970-S	EXTENDED DIPSTICK	1
ED0093300860-S	EXTENDED DIPSTICK TUBE	1

#### **Fits Models:**

KDW702

KDW1003

KDW1404

## DIPSTICK



### KD625-2 Extended Dipstick

#### Kit Part No. EDACC0019-S

Reference # 9997-186

<b>Kit Contents</b>	<b>Description</b>	<b>Qty</b>
ED0012000010-S	O RING	1
ED0014000940-S	EXTENDED DIPSTICK	1
ED0093300330-S	EXTENDED DIPSTICK TUBE	1
ED0076250610-S	WASHER/SPACER	1

#### **Fits Models:**

KD625-2



## DIPSTICK



### Extended Dipstick

#### Kit Part No. EDACC0055-S

Reference # 9999-250

<b>Kit Contents</b>	<b>Description</b>	<b>Qty</b>
ED0012000010-S	O RING	1
ED0014001950-S	EXTENDED DIPSTICK	1
ED0093300480-S	EXTENDED DIPSTICK TUBE	1

#### **Fits Models:**

KDW1603  
KDW2204  
KDW2204T

## HOUSING ADAPTER



### SAE 5 Bolt On Housing Adapter For #1 PTO

#### Kit Part No. EDACC0020-S

Reference # 9973-057

<b>Kit Contents</b>	<b>Description</b>	<b>Qty</b>
ED0011980720-S	SAE 5 (13.125" B.C.) HOUSING ADAPTER	1
ED0068000100-S	STUD M10 X 1.5 X 40 MM	8
ED0032400370-S	HEX NUT M10	8
ED0075650110-S	LOCK WASHER M10	8

#### **Fits Models:**

KD625-2

## FLYWHEEL GUARD



### KD625-2 Flywheel Guard

#### Kit Part No. EDACC0021-S

Reference # 9989-088

<b>Kit Contents</b>	<b>Description</b>	<b>Qty</b>
ED0069270060-S	FLY WHEEL GUARD	1
ED0097300440-S	SOCKET HEAD ALLEN BOLT M10 X 1.5 X 25MM	6
ED0075650110-S	LOCK WASHER	6

#### **Fits Models:**

KD625-2

## HOUSING ADAPTER



### 7.75" Wisconsin Bolt On Housing Adapter for #1 PTO

#### Kit Part No. EDACC0022-S

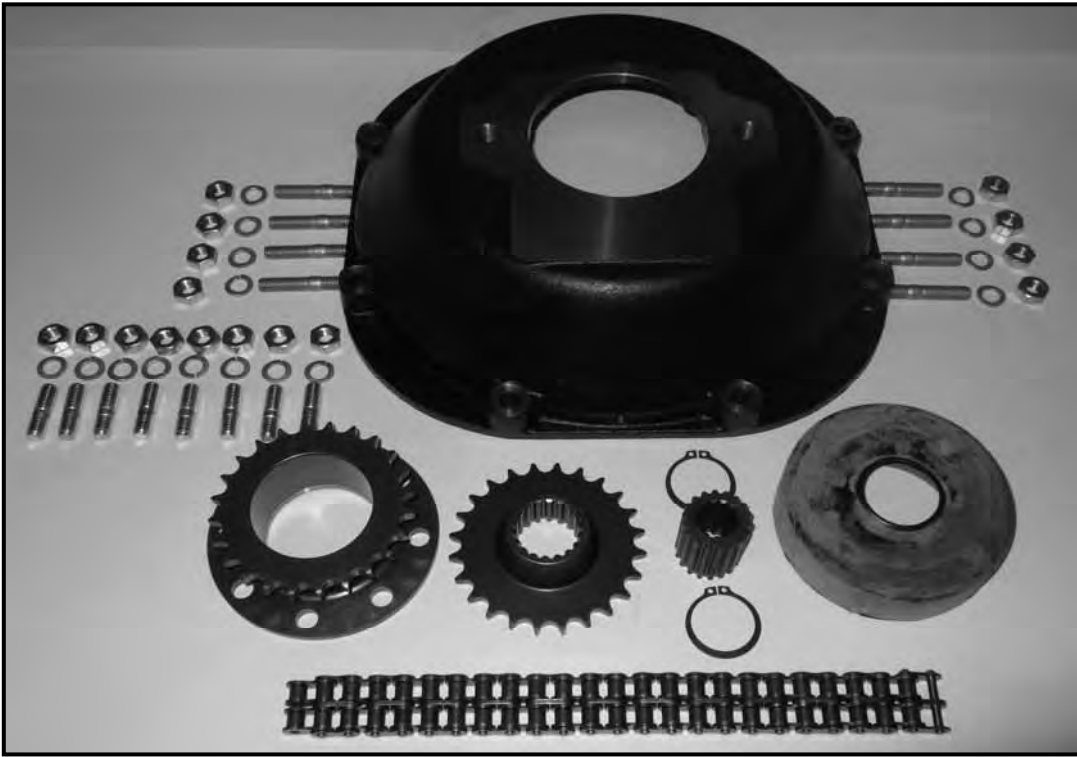
Reference # SK-1023

<b>Kit Contents</b>	<b>Description</b>	<b>Qty</b>
ED0011980810-S	WISCONSIN (7.75" B.C.) HOUSING ADAPTER	1
ED0068000200-S	STUD M10 X 1.5 X 40 MM	8
ED0032400330-S	HEX NUT M10	8
ED0075650110-S	LOCK WASHER M10	8

#### **Fits Models:**

KD625-2  
KDW702  
KDW1003  
KDW1404

## HYDRAULIC ADAPTER



### SAE 2B 13 Hydraulic Adapter For #1 PTO

#### Kit Part No. EDACC0023-S

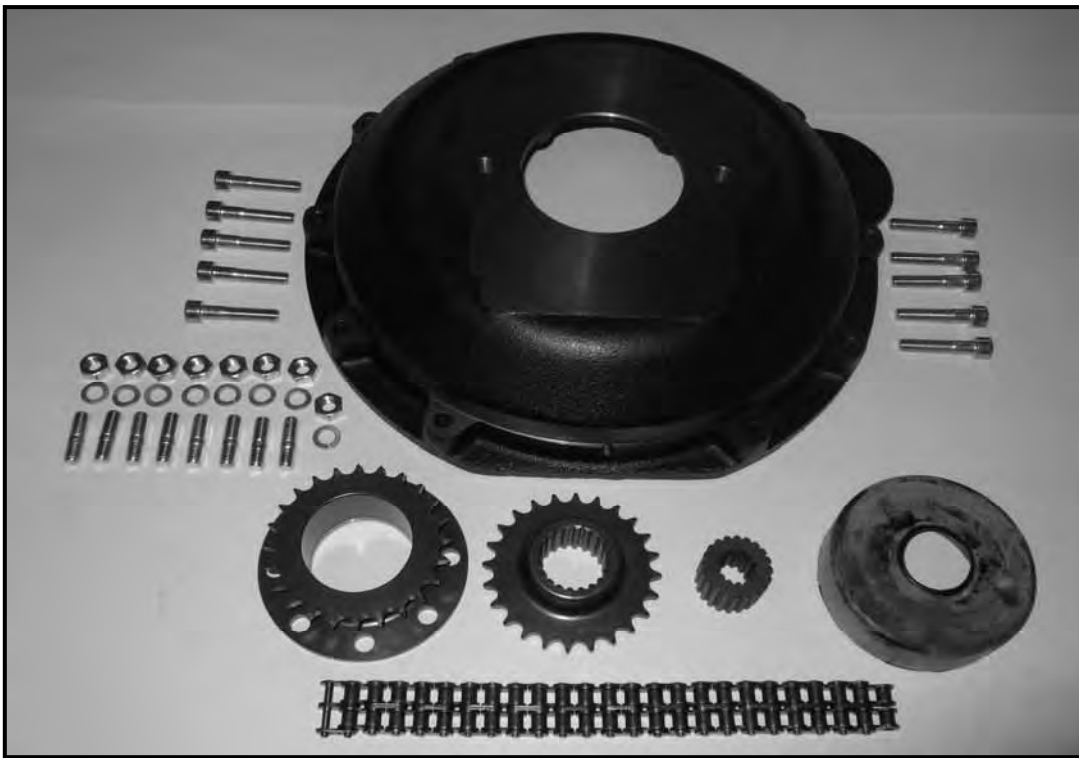
Reference # 9990-048

Kit Contents	Description	Qty
ED0088360530-S	SAE 2B PUMP MT. PLATE (4" PILOT)	1
ED0028140010-S	RUBBER CHAIN COVER	1
ED0064500280-S	PUMP SIDE SPROCKET	1
ED0064500050-S	ENGINE SIDE SPROCKET	1
ED0021810060-S	CHAIN COUPLING	1
ED0054010280-S	13 TOOTH SPLINE ADAPTER	1
ED0068000040-S	STUD M10 X 1.5 X 35 MM	8
ED0068000200-S	STUD M10 X 1.5 X 50 MM	8
ED0075650110-S	LOCK WASHER M10	16
ED0032400330-S	HEX NUT M10	16

#### Fits Models:

KD625-2  
 KDW702  
 KDW1003  
 KDW1404

## HYDRAULIC ADAPTER



### SAE 2B 13 Hydraulic Adapter For #1 PTO

#### Kit Part No. EDACC0024-S

Reference # 9990-091

Kit Contents	Description	Qty
Hayes	Vender supplied assembly	1

#### **Fits Models:**

KD625-3  
KDW1603  
KDW2204  
KDW2204T



# HYDRAULIC ADAPTER



## SAE 2B 15 Hydraulic Adapter For #1 PTO

**Kit Part No. EDACC0025-S**

Reference # 9996-069

Kit Contents	Description	Qty
Hayes	Vender supplied assembly	1

### **Fits Models:**

KD625-3  
KDW1603  
KDW2204  
KDW2204T

---

## HYDRAULIC ADAPTER

---



### SAE 2B 0.875" Hydraulic Adapter For #1 PTO

#### Kit Part No. EDACC0027-S

Reference # 9975-055

Kit Contents	Description	Qty
Hayes	Vender supplied assembly	1

#### **Fits Models:**

KD625-3  
KDW1603  
KDW2204  
KDW2204T

## HYDRAULIC ADAPTER



### SAE 2B 15 Hydraulic Adapter For #1 PTO

#### Kit Part No. EDACC0028-S

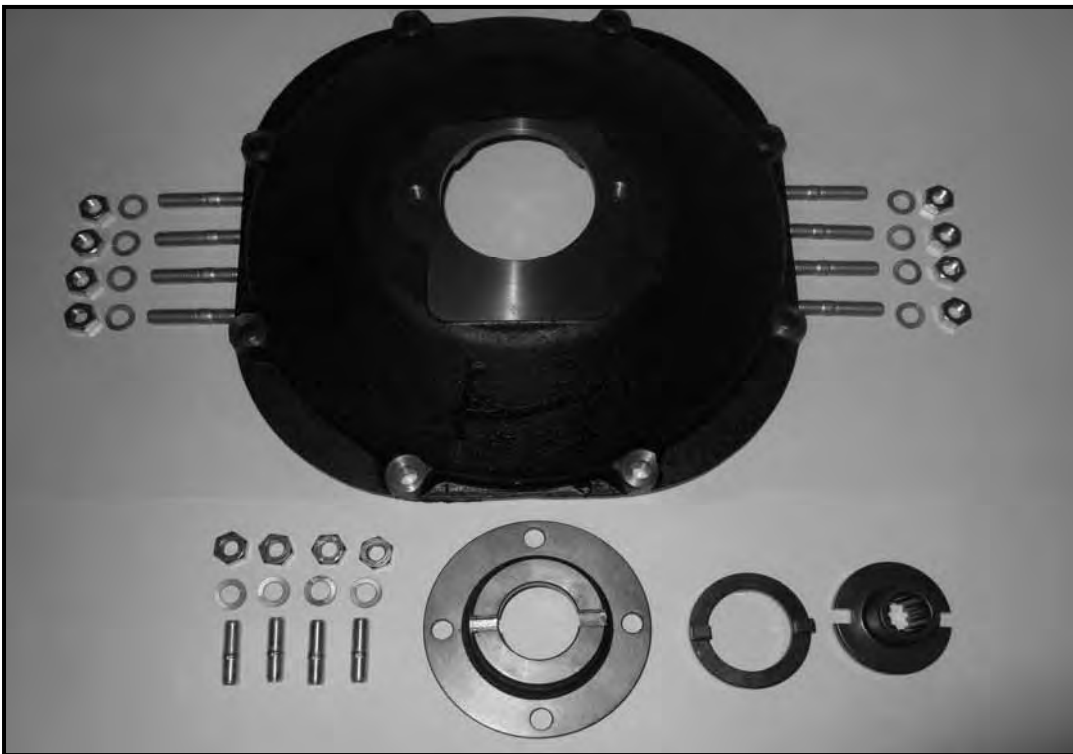
Reference # 9996-035

Kit Contents	Description	Qty
ED0088360530-S	SAE 2B PUMP MT. PLATE (4" PILOT)	1
ED0028140010-S	RUBBER CHAIN COVER	1
ED0064500280-S	PUMP SIDE SPROCKET	1
ED0064500050-S	ENGINE SIDE SPROCKET	1
ED0021810060-S	CHAIN COUPLING	1
ED0054010250-S	15 TOOTH SPLINE ADAPTER	1
ED0068000040-S	STUD M10 X 1.5 X 35 MM	8
ED0068000200-S	STUD M10 X 1.5 X 50 MM	8
ED0075650110-S	LOCK WASHER M10	16
ED0032400330-S	HEX NUT M10	16

#### Fits Models:

KD625-2  
 KDW702  
 KDW1003  
 KDW1404

## HYDRAULIC ADAPTER



### SAE 2A 13 Hydraulic Adapter For #1 PTO

#### Kit Part No. EDACC0029-S

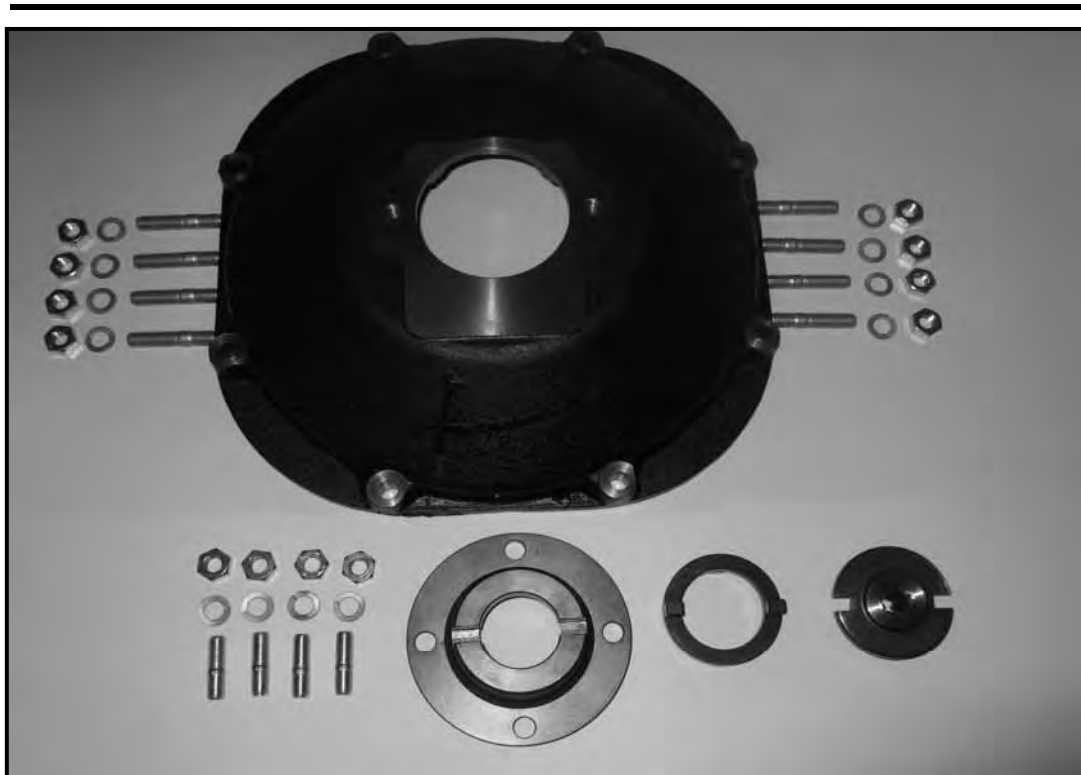
Reference # 9998-082

<b>Kit Contents</b>	<b>Description</b>	<b>Qty</b>
ED0088360740-S	SAE 2A PUMP MT. PLATE (3.25" PILOT)	1
ED0042400280-S	INTERMEDIATE COUPLING	1
ED0042400210-S	ENGINE SIDE COUPLING	1
ED0080610720-S	13 TOOTH PUMP SIDE COUPLING	1
ED0068000040-S	STUD M10 X 1.5 X 35 MM	4
ED0068000200-S	STUD M10 X 1.5 X 50 MM	8
ED0075650110-S	LOCK WASHER M10	12
ED0032400330-S	HEX NUT M10	12

#### **Fits Models:**

KD625-2  
KDW702  
KDW1003  
KDW1404

## HYDRAULIC ADAPTER



### SAE 2A 9 Hydraulic Adapter For #1 PTO

#### Kit Part No. EDACC0030-S

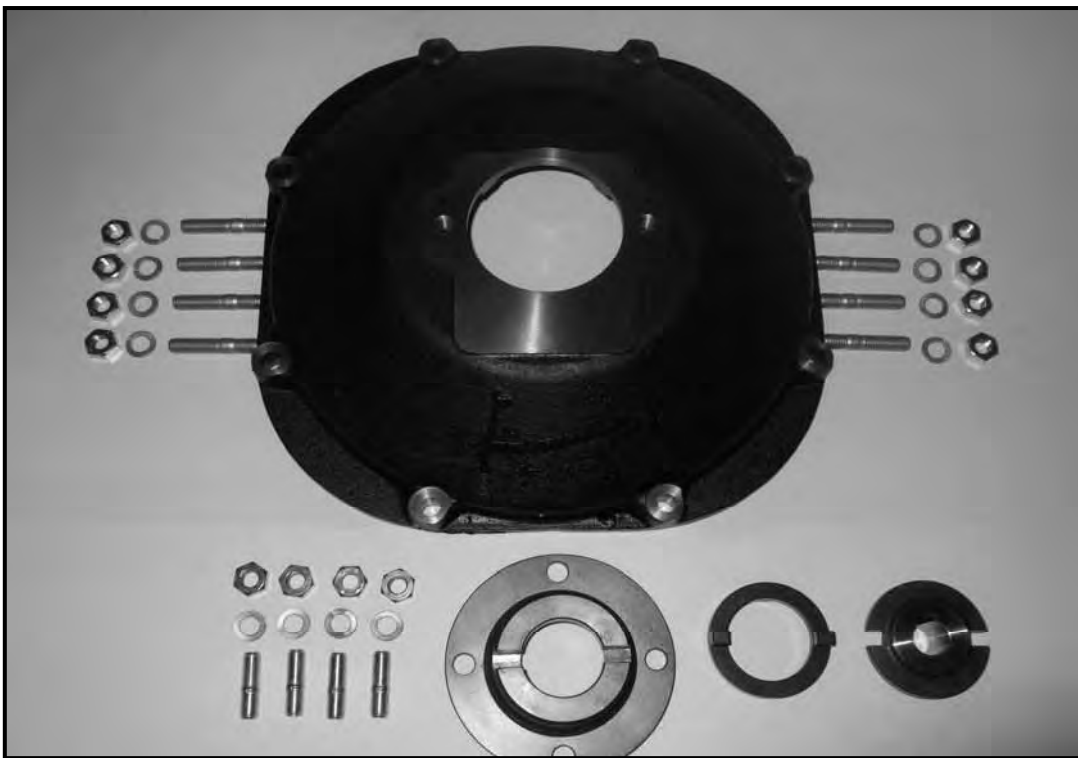
Reference # KS1101-9T

Kit Contents	Description	Qty
ED0088360740-S	SAE 2A PUMP MT. PLATE (3.25" PILOT)	1
ED0042400280-S	INTERMEDIATE COUPLING	1
ED0042400210-S	ENGINE SIDE COUPLING	1
ED0000-A1J-S	9 TOOTH PUMP SIDE COUPLING	1
ED0068000040-S	STUD M10 X 1.5 X 35 MM	4
ED0068000200-S	STUD M10 X 1.5 X 50 MM	8
ED0075650110-S	LOCK WASHER M10	12
ED0032400330-S	HEX NUT M10	12

#### Fits Models:

KD625-2  
 KDW702  
 KDW1003  
 KDW1404

## HYDRAULIC ADAPTER



### SAE 2A 0.75" Keyed Hydraulic Adapter For #1 PTO

#### Kit Part No. EDACC0031-S

Reference # SK1101-75

Kit Contents	Description	Qty
ED0088360740-S	SAE 2A PUMP MT. PLATE (3.25" PILOT)	1
ED0042400280-S	INTERMEDIATE COUPLING	1
ED0042400210-S	ENGINE SIDE COUPLING	1
ED0000-A1V-S	0.75" KEYED PUMP SIDE COUPLING	1
ED0068000040-S	STUD M10 X 1.5 X 35 MM	4
ED0068000200-S	STUD M10 X 1.5 X 50 MM	8
ED0075650110-S	LOCK WASHER M10	12
ED0032400330-S	HEX NUT M10	12

#### Fits Models:

KD625-2  
 KDW702  
 KDW1003  
 KDW1404



## HYDRAULIC ADAPTER



### SAE 2B 0.75" Hydraulic Adapter For #1 PTO

#### Kit Part No. EDACC0032-S

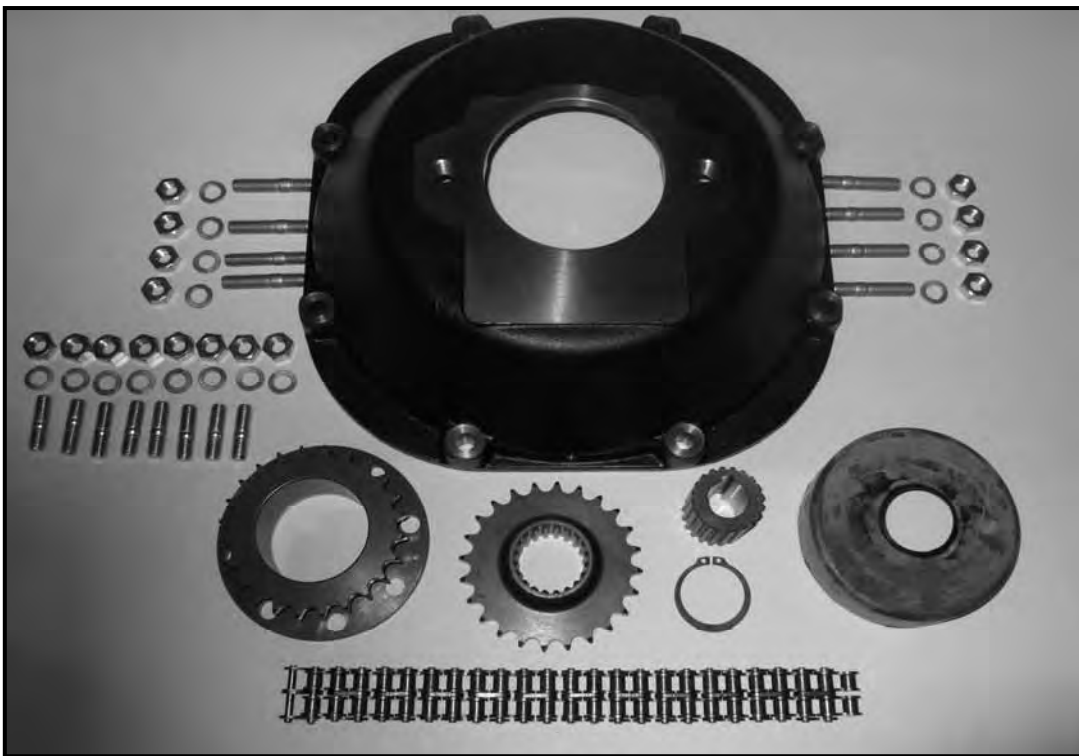
Reference # 9999-027

Kit Contents	Description	Qty
ED0088360530-S	SAE 2B PUMP MT. PLATE (4" PILOT)	1
ED0028140010-S	RUBBER CHAIN COVER	1
ED0064500070-S	PUMP SIDE SPROCKET	1
ED0064500050-S	ENGINE SIDE SPROCKET	1
ED0021810060-S	CHAIN COUPLING	1
ED0054010390-S	0.75" KEYED ADAPTER	1
ED0012400380-S	SNAP RING FOR SPLINE ADAPTER	2
ED0068000040-S	STUD M10 X 1.5 X 35 MM	8
ED0068000200-S	STUD M10 X 1.5 X 50 MM	8
ED0075650110-S	LOCK WASHER M10	16
ED0032400330-S	HEX NUT M10	16

#### Fits Models:

KD625-2

## HYDRAULIC ADAPTER



### SAE 2B 0.875" Hydraulic Adapter For #1 PTO

#### Kit Part No. EDACC0033-S

Reference # 9999-081

Kit Contents	Description	Qty
ED0088360530-S	SAE 2B PUMP MT. PLATE (4" PILOT)	1
ED0028140010-S	RUBBER CHAIN COVER	1
ED0064500070-S	PUMP SIDE SPROCKET	1
ED0064500050-S	ENGINE SIDE SPROCKET	1
ED0021810060-S	CHAIN COUPLING	1
ED0054000500-S	0.875" KEYED ADAPTER	1
ED0012400380-S	SNAP RING FOR SPLINE ADAPTER	2
ED0068000040-S	STUD M10 X 1.5 X 35 MM	8
ED0068000200-S	STUD M10 X 1.5 X 50 MM	8
ED0075650110-S	LOCK WASHER M10	16
ED0032400330-S	HEX NUT M10	16

#### Fits Models:

KD625-2

## HOUSING & CLUTCH ADAPTER



### SAE 5 C106 Bolt On Housing & Clutch Adapter For #1 PTO

#### Kit Part No. EDACC0034-S

Reference # SK-1048

<b>Kit Contents</b>	<b>Description</b>	<b>Qty</b>
ED0020310330-S	SAE 5 (13.125" B.C.) HOUSING ADAPTER	1
ED0097300450-S	ALLEN BOLT M10 X 1.5 X 30 MM	10
ED0075650110-S	LOCK WASHER M10	10
ED0097300440-S	ALLEN BOLT M10 X 1.5 X 25 MM	8
ED0020510520-S	C-106 CLUTCH PLATE ADAPTER (7.875" B.C.)	1

#### **Fits Models:**

KD625-3

## HOUSING ADAPTER



### SAE 4 Bolt On Housing Adapter For #1 PTO

#### Kit Part No. EDACC0035-S

Reference # 9973-040

<b>Kit Contents</b>	<b>Description</b>	<b>Qty</b>
ED0020323320-S	SAE 4 (15" B.C.) HOUSING ADAPTER	1
ED0097300450-S	ALLEN BOLT M10 X 1.5 X 30 MM	10
ED0075650110-S	LOCK WASHER M10	10

#### **Fits Models:**

KDW1603  
KDW2204  
KDW2204T

## FLYWHEEL ADAPTER



### SAE 4 Housing & C107 Bolt On Flywheel Adapter

#### Kit Part No. EDACC0036-S

Reference # 9994-326

Kit Contents	Description	Qty
ED0020320860-S	SAE 4 (15" B.C.) HOUSING ADAPTER	1
ED0097300460-S	ALLEN BOLT M10 X 1.5 X 45 MM	8
ED0020501070-S	C107 BOLT ON CLUTCH PLATE (8.75" B.C.) WITH 2" BEARING CARRIER	1

#### **Fits Models:**

KD625-3

## FLYWHEEL ADAPTER



### SAE 4 Housing & C108 Bolt On Flywheel Adapter

#### Kit Part No. EDACC0037-S

Reference # SK-1047

<b>Kit Contents</b>	<b>Description</b>	<b>Qty</b>
ED0020323320-S	SAE 4 (15" B.C.) HOUSING ADAPTER	1
ED0097300450-S	ALLEN BOLT M10 X 1.5 X 30 MM	10
ED0020510500-S	C108 BOLT ON CLUTCH PLATE (9.625" B.C.) NO BEARING CARRIER	1
ED0097300440-S	ALLEN BOLT M10 X 1.5 X 25 MM	8
ED0075650110-S	LOCK WASHER M10	10

#### **Fits Models:**

KD625-3

## HOUSING ADAPTER



### SAE 5 Bolt On Housing Adapter For #1 PTO

#### Kit Part No. EDACC0038-S

Reference #9973-041

<b>Kit Contents</b>	<b>Description</b>	<b>Qty</b>
ED0020310330-S	SAE 5 (13.125" B.C.) HOUSING ADAPTER	1
ED0097300450-S	ALLEN BOLT M10 X 1.5 X 30 MM	10
ED0075650110-S	LOCK WASHER M10	10

#### **Fits Models:**

KDW1603  
KDW2204  
KDW2204T



## HOUSING ADAPTER



### SAE 6 Bolt On Housing Adapter For #1 PTO

#### Kit Part No. EDACC0039-S

Reference # 9973-058

Kit Contents	Description	Qty
ED0011980730-S	SAE 6 (11.25" B.C.) HOUSING ADAPTER	1
ED0068000200-S	STUD M10 X 1.5 X 40 MM	8
ED0032400370-S	HEX NUT M10	8
ED0075650110-S	LOCK WASHER M10	8

#### **Fits Models:**

KD625-2



## HYDRAULIC ADAPTERS



### SAE 2AA .05" Hydraulic Adapter For #3 PTO

#### Kit Part No. EDACC0040-S

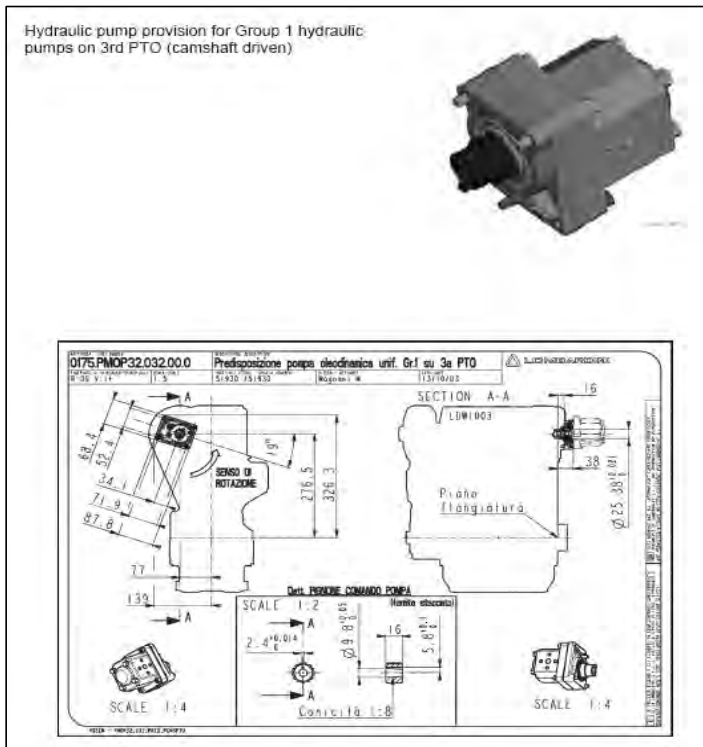
Reference # 9997-335

Kit Contents	Description	Qty
ED0039020510-S	SAE 2AA PUMP MT. PLATE (2" PILOT)	1
ED0045010210-S	GASKET PUMP MT.	1
ED0080610930-S	0.5" KEYED PUMP SIDE COUPLING	1
ED0042400110-S	INTERMEDIATE COUPLING	1
ED0049360610-S	ENGINE SIDE COUPLING/GEAR DRIVE (16 mm)	1
ED0087800150-S	GEAR DRIVE ADAPTER/BUSHING	1
ED0013001010-S	THRUST WASHER	1
ED0012400160-S	SNAP RING	1
ED0027510970-S	CAP	1

#### Fits Models:

KD625-2

## HYDRAULIC ADAPTER



### DIN Group 1 Hydraulic Adapter For #3 PTO

#### Kit Part No. EDACC0041-S

Reference # 160100

Kit Contents	Description	Qty
ED0030102310-S	BEARING	1
ED0054012170-S	COUPLING	1
ED0064560440-S	SPLINE COUPLING	1
ED0038551800-S	FLANGE Z	1
ED0039023480-S	FLANGE Z1	1
ED0012000810-S	O RING	1
DIPSTICK	O-RING	1
ED0012000870-S	O-RING	1
ED0019704500-S	SLEEVE	1
ED0097320780-S	BOLT ALLEN SOCKET HEAD M6 X 1 X 25MM	3
ED0097300180-S	BOLT ALLEN SOCKET HEAD M6 X 1 X 45MM	2
ED0098000560-S	M4 X 12 BOLTS	2

#### Fits Models:

KDW702  
KDW1003  
KDW1404

## HYDRAULIC ADAPTER



### DIN Group 2 Hydraulic Adapter For #3 PTO

#### Kit Part No. EDACC0042-S

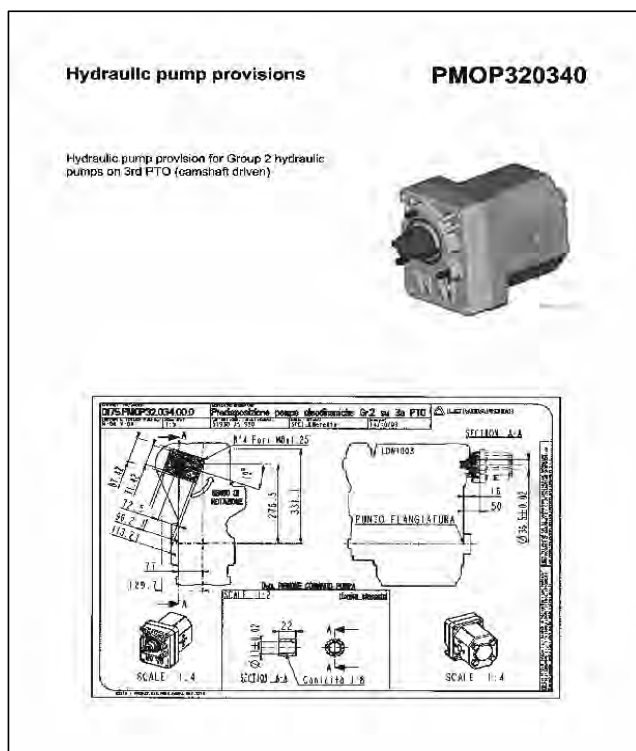
Reference # 160096

Kit Contents	Description	Qty
ED0012000730-S	O RING (LARGE RED)	1
ED0012020170-S	O RING (SMALL RED)	1
ED0012400370-S	RETAINER SNAP RING	1
ED0012570320-S	WEAR PLATE	1
ED0012570330-S	THRUST WASHER	1
ED0013010470-S	PUMP SHAFT RING	1
ED0038100850-S	PUMP FLANGE	1
ED0045801850-S	GASKET	1
ED0049361210-S	GEAR DRIVE	1
ED0059000150-S	DRIVE PINION (PUMP SIDE)	1
ED0090000300-S	PLUG PLASTIC (5.5MM)	4
ED0097301000-S	BOLT ALLEN SOCKET M8 X 1.25 X 25MM	2
ED0097320740-S	BOLT ALLEN SOCKET M8 X 1.25 X 20MM	1

#### Fits Models:

KDW1603  
KDW2204  
KDW2204T

## HYDRAULIC ADAPTER



### DIN Group 2 Hydraulic Adapter For #3 PTO

#### Kit Part No. EDACC0043-S

Reference # 160037

Kit Contents	Description	Qty
ED0030102310-S	BEARING	1
ED0054012220-S	COUPLING	1
ED0054010160-S	SPLINE COUPLING	1
ED0038551830-S	FLANGE Z	1
ED0039023560-S	FLANGE Z1	1
ED0012002330-S	O-RING	1
ED0012020170-S	O-RING	1
ED0012000870-S	O-RING	1
ED0019704500-S	SLEEVE	1
ED0097320780-S	M6 X 25 BOLTS	3
ED0097300040-S	M5 X 16 BOLTS	2


#### Fits Models:


KDW702  
KDW1003  
KDW1404


**HYDRAULIC ADAPTER**

**LDW2204** 2.  
77/118

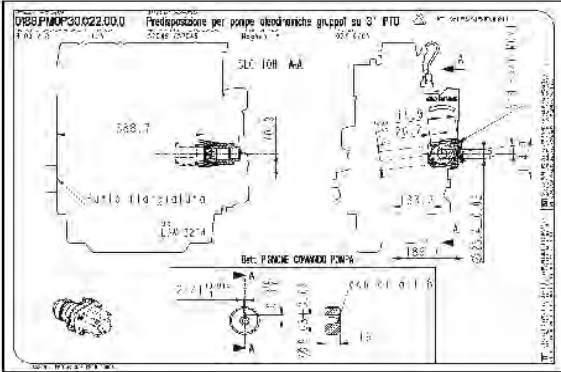
**Predisposizioni pompa su 3<sup>a</sup> PTO** **PMOP300220**  
**Hydraulic pump provisions (3rd PTO)**

 Predisposizione per pompe oleodinamiche Gruppo 1




 Hydraulic pump provision for Group 1 hydraulic pumps

0789 PMOP300220000 Predisposizione per pompe oleodinamiche gruppi su 3<sup>a</sup> PTO



Det. PRACE CHYKLO P.W.K.



**DIN Group 1 Hydraulic Adapter For #3 PTO**

**Kit Part No. EDACC0044-S**

Reference # 160194

**DIN Group 1 Hydraulic Adapter For #3 PTO (Cont.)**

<b>Kit Contents</b>	<b><u>Kit Part No. EDACC0044-S</u></b>	<b>Description</b>	<b>Qty</b>
ED0012000730-S		O RING (LARGE RED)	1
ED0012010960-S		O RING (SMALL RED)	1
ED0012400370-S		RETAINER SNAP RING	1
ED0012570320-S		WEAR PLATE	1
ED0012570330-S		THRUST WASHER	1
ED0013010460-S		PUMP SHAFT RING	1
ED0038100830-S		PUMP FLANGE	1
ED0045801850-S		GASKET	1
ED0049361210-S		GEAR DRIVE	1
ED0054000540-S		DRIVE PINION (PUMP SIDE)	1
ED0090000300-S		PLUG PLASTIC (5.5MM)	4
ED0097301000-S		BOLT ALLEN SOCKET M8 X 1.25 X 25MM	2
ED0097320740-S		BOLT ALLEN SOCKET M8 X 1.25 X 20MM	1

**Fits Models:**

KDW1603  
KDW2204  
KDW2204T

## PULLEY



### 2 Groove A-Belt Pulley For #2 PTO

#### Kit Part No. EDACC0045-S

Reference # 6975-294

<b>Kit Contents</b>	<b>Description</b>	<b>Qty</b>
ED0069752940-S	2 GROOVE A-BELT PULLEY Dia. 112mm USE EXISTING HARDWARE	1

#### **Fits Models:**

KDW702  
KDW1003  
KDW1404

## CLUTCH ADAPTER



### SAE C106 Bolt On Clutch Adapter w/2" Bearing Carrier

#### Kit Part No. EDACC0046-S

Reference # 9973-055

Kit Contents	Description	Qty
ED0020510520-S	C-106 CLUTCH PLATE ADAPTER (7.875" B.C.)	1
ED0097300440-S	ALLEN BOLT M10 X 1.5 X 25 MM	8
ED0018610830-S	FLY WHEEL BOLT/2" BEARING CARRIER	1
ED0051110350-S	FLY WHEEL BOLT LOCK	1

#### **Fits Models:**

KD625-2



## FLYWHEEL



### SAE C106 Flywheel w/2" Bearing Carrier

#### Kit Part No. EDACC0047-S

Reference # 9973-036

<b>Kit Contents</b>	<b>Description</b>	<b>Qty</b>
ED0098811490-S	SAE C-106 FLY WHEEL (7.875" B.C.)	1
ED0097300270-S	ALLEN BOLT M8 X 1.25 X 25 MM	4
ED0038550660-S	2" BEARING CARRIER	1

#### **Fits Models:**

KDW702  
KDW1003  
KDW1404

## #1 PTO ADAPTER



### SAE C107 Adapter w/2" Bearing Carrier

#### Kit Part No. EDACC0048-S

Reference # 2052-074

Kit Contents	Description	Qty
ED0020520740-S	C-107 ADAPTER (8.75" B.C.) WITH 2" CARRIER	1
ED0097300440-S	ALLEN BOLT M10 X 1.5 X 25 MM	8

#### **Fits Models:**

KDW1603  
KDW2204  
KDW2204T

## #1 PTO ADAPTER



### SAE C108 Bolt On Adapter For #1 PTO

#### Kit Part No. EDACC0049-S

Reference # 9973-038

<b>Kit Contents</b>	<b>Description</b>	<b>Qty</b>
ED0020510500-S	C-108 ADAPTER (9.625" B.C.)	1
ED0097300440-S	ALLEN BOLT M10 X 1.5 X 25 MM	8

Note: Do not use with over center clutch

#### **Fits Models:**

KDW1603  
KDW2204  
KDW2204T

## #1 PTO SHAFT



### 1" Bolt On Shaft For #1 PTO

#### Kit Part No. EDACC0050-S

Reference # 160563

<b>Kit Contents</b>	<b>Description</b>	<b>Qty</b>
ED0011111270-S	1" SHAFT EXTENSION	1
ED0022800500-S	1/4" X 2-3/8" KEY	1
ED0017800310-S	ALLEN BOLT M10 X 1.5 X 25 MM	8
ED0075650110-S	LOCK WASHER M10	8

#### **Fits Models:**

KDW702  
KDW1003  
KDW1404

## #1 PTO SHAFT



### 1-7/16" Bolt On Shaft For #1 PTO

#### Kit Part No. EDACC0051-S

Reference # SK-1071

<b>Kit Contents</b>	<b>Description</b>	<b>Qty</b>
ED0011110280-S	1-7/16" SHAFT EXTENSION	1
ED0022800930-S	3/8" X 4-5/16" KEY	1
ED0017800310-S	HEX BOLT M10 X 1.5 X 25 MM	8
ED0075650110-S	LOCK WASHER M10	8

#### **Fits Models:**

KD625-2  
KD625-3  
KDW702  
KDW1003  
KDW1404  
KDW1603  
KDW2204  
KDW2204T

## #1 PTO SHAFT



### 1-1/2" Bolt On Shaft For #1 PTO

#### Kit Part No. EDACC0052-S

Reference # 9997-832

<b>Kit Contents</b>	<b>Description</b>	<b>Qty</b>
ED0011110400-S	1-1/2" SHAFT EXTENSION	1
ED0022800930-S	3/8" X 4-5/16" KEY	1
ED0017800310-S	HEX BOLT M10 X 1.5 X 25 MM	8
ED0075650110-S	LOCK WASHER M10	8

#### **Fits Models:**

KD625-2  
KD625-3  
KDW702  
KDW1003  
KDW1404  
KDW1603  
KDW2204  
KDW2204T

## #1 PTO SHAFT



### 2" Bolt On Shaft For #1 PTO

#### Kit Part No. EDACC0053-S

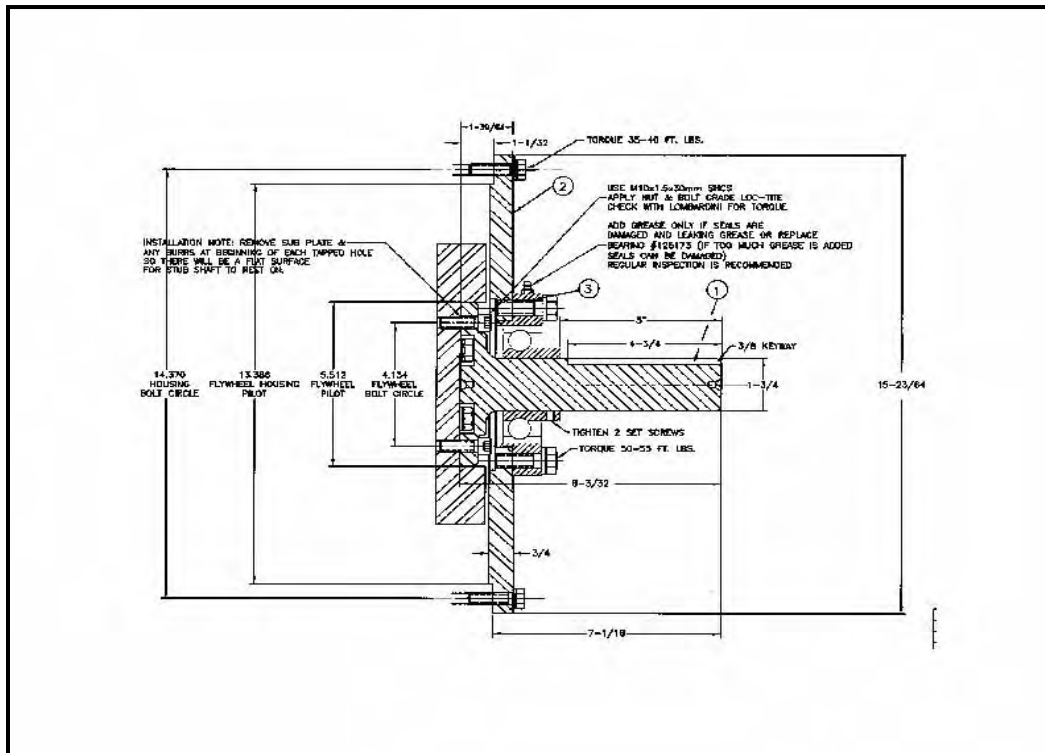
Reference # 9997-833

<b>Kit Contents</b>	<b>Description</b>	<b>Qty</b>
ED0011110390-S	2" SHAFT EXTENSION	1
ED0022800930-S	3/8" X 4-5/16" KEY	1
ED0017800310-S	HEX BOLT M10 X 1.5 X 25 MM	8
ED0075650110-S	LOCK WASHER M10	8

#### **Fits Models:**

KD625-2  
KD625-3  
KDW1603  
KDW2204  
KDW2204T

# #1 PTO SHAFTS



## 1.75" Keyed Shaft & Outboard Bearing Support #1 PTO

### Kit Part No. EDACC0054-S

Reference # 0000-Q2E

Kit Contents	Description	Qty
ED0000-Q2E-S	HAYES KIT # 124806	1

### Fits Models:

KDW1603  
KDW2204  
KDW2204T