




Kohler® Diesel

Model KD625-2

2 Cylinders » 1248 cc » 18.8 kW/25.2 HP » 3000 RPM » 55.3 ft. lbs. @2000 RPM

Certification

EPA TIER 4 
97/68/CE 
ECE R 24 

Features

- 4-Stroke Air-Cooled Diesel Engine
- Direct Injection
- Flywheel Fan Air Cooling
- Mechanical Fuel Pump
- Full-Pressure Lubrication with Gear Pump
- Full Flow Oil Filter
- Automatic Extra Fuel Starting Device
- Variable Speed Governor
- Aluminum Crankcase
- 12 V Electric Starter
- Counter-Clockwise Rotation (From PTO Side)
- Aluminum Alloy Independent Heads
- Re-Borable Independent Cast-Iron Cylinders
- Power Take-Off on Crankcase

Applications

- Power Buggy
- Vibrating Roller
- Generator
- Welder
- High-Pressure Cleaner
- Hydraulic Power Pack
- Agricultural Pump
- Two-Wheel Tractor
- Stump Grinder
- Chipper

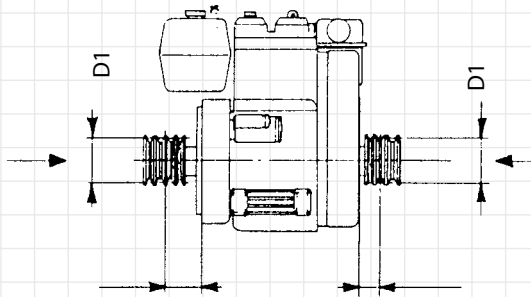


Kohler® Diesel

Model KD625-2

Specifications

Cylinders	No. of Cylinders	2
Displacement	cc/cu. in.	1248/76.2
Bore	mm/in.	95/3.7
Stroke	mm/in.	88/3.5
Compression Ratio		17.5:1
Rating kW/HP	NB (80/1269/CEE) ISO 1585	18.8/25.2
	NA ISO 3046 IFN	17.4/23.3
Max. Torque	N-m/ft. lbs. @ 2000 RPM	75/55.3
Max. Torque 3 P.T.O.	N-m/ft. lbs.	30.0/22.1
Counterclockwise Rotation		
Engine Speed - 3 P.T.O. Ratio		1:1
Minimum Idling Speed R.P.M.		1000-1100
Fuel Tank Capacity	liters/quarts	10/10.6
Oil Consumption	kg/h/lb/h	0.013/0.029
Oil Capacity	liters/quarts	2.8/2.6
Min. Allowable Oil Pressure	bar/psi	1.5-2/21.8-29
Max. Allowable Incline for Short Periods of Operation (Peak Values)		25° (35°)
Volume of Air Required for Correct Combustion @ 3000 R.P.M.	liters/min/cfm	1870/66
Volume of Air Required for Correct Cooling @ 3000 R.P.M.	liters/min/cfm	26300/929
Dry Weight	kg/lbs	110/242.5
Recommended Battery	V/Ah	12/66
Minimum Pulley Diameters for Belt Drive		



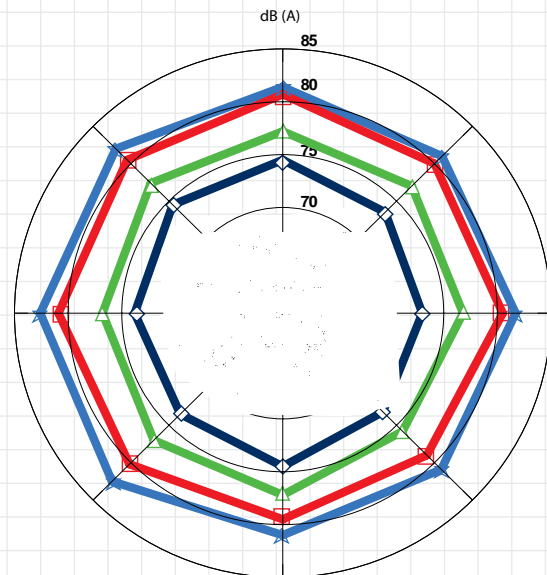
$$D_1 \text{ (mm)} \geq 136 [162 + L_1 \text{ (mm)}] \frac{N \text{ (kW)}}{n \text{ (RPM)}}$$

$$D_2 \text{ (mm)} \geq 204 [260 + L_2 \text{ (mm)}] \frac{N \text{ (kW)}}{n \text{ (RPM)}}$$

Max. allowable axial load in both directions A-B = 600 kg/1323 lb_r

Sound Pressure Level dB (A)

Sound Pressure Level Polar Diagram Open Field at 7 Meters - No Load Running Engine.

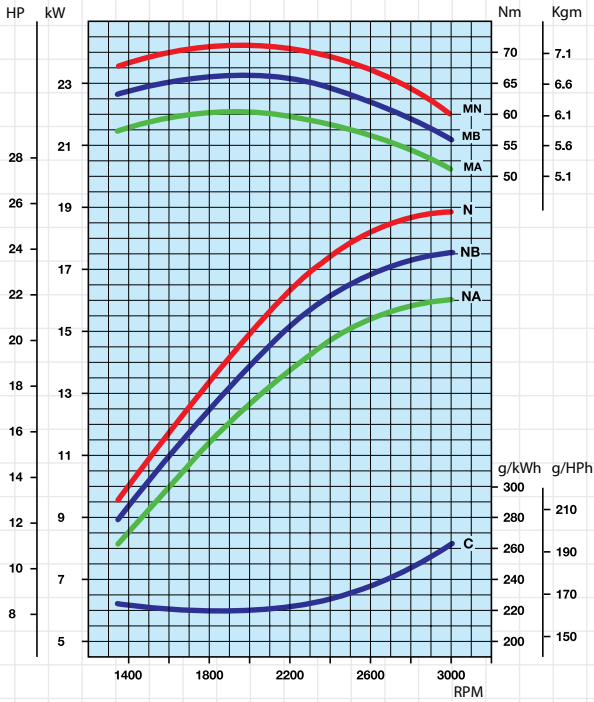


1500 RPM 2000 RPM 2500 RPM 3000 RPM

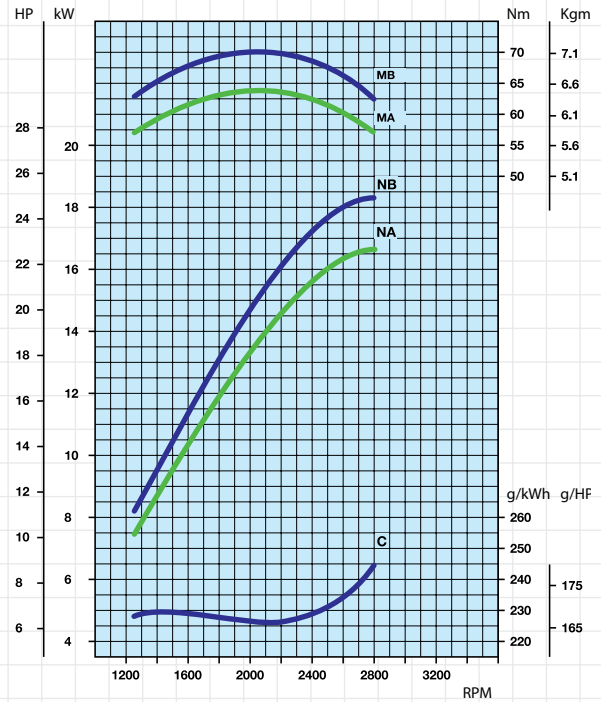
Kohler® Diesel Model KD625-2

Curves

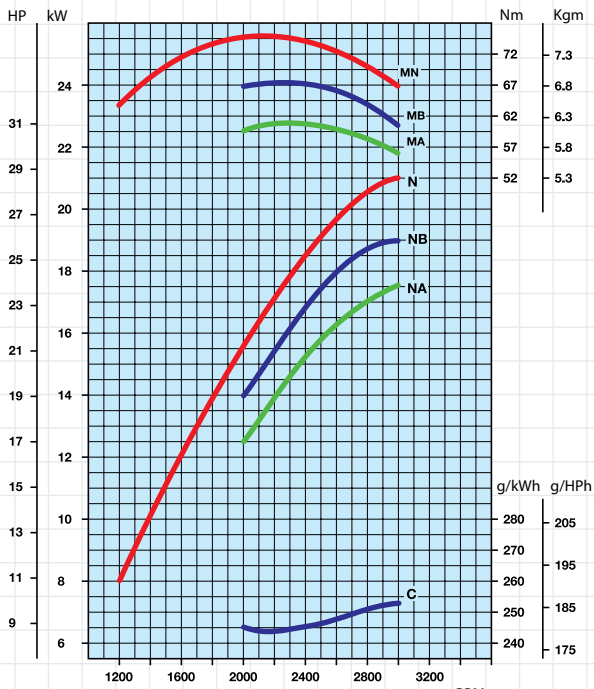
KD625-2 NR @ 3000 RPM



KD625-2 B2 NR @ 2800 RPM



KD625-2 @ 3000 RPM



- N Power Curve - 80/1269/CEE - ISO 1585 -
- NB Power Curve - ISO 3046/1 - IFN -
- NA Power Curve - ISO 3046/1 - ICXN -
- MN Torque Curve - (N curve)
- MB (B Curve - MA (A curve)
- C Specific Fuel Consumption - (NB curve)

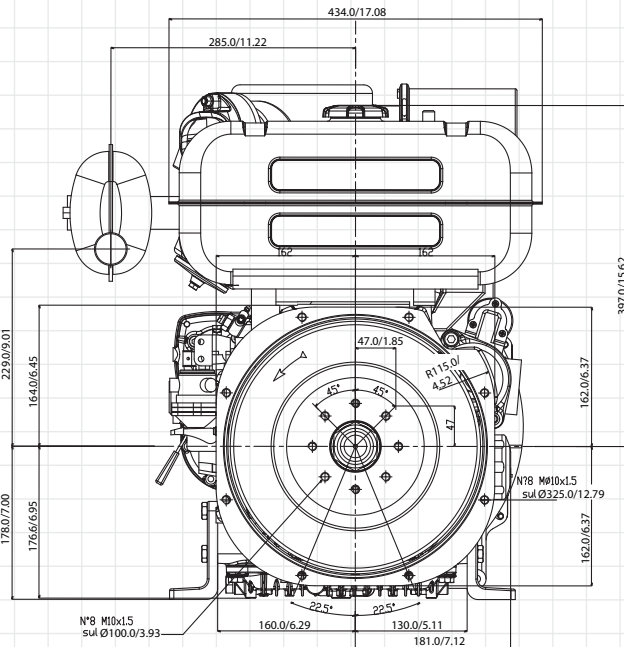
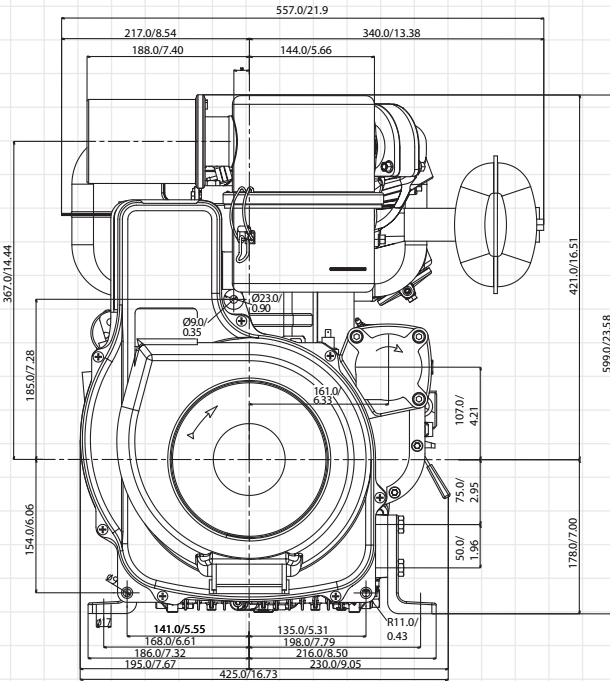
Output Power for Fixed Speed Application (Including Generator Sets)

Engine Power kW

RPM	Intermittent (NB)	Continuous (NA)
3000	18.8	17.4
1800	13.5	12.0
1500	10.7	9.7

Kohler® Diesel Model KD625-2

Technical Drawings



Standard Features

- Electric Start with 12 V Starter Motor and Alternator
- Manual Throttle Control (Fixed)
- Oil Bath Air Filter with Cyclonic Prefilter
- External Oil Filter
- Oil Pressure Switch
- Combined Manifold and Exhaust Muffler
- Engine Feet
- Power Take-Off on Flywheel
- Keyswitch Panel
- Fuel Lift Pump
- Counter-Clockwise Rotation on Power Take-Off Side
- Automatic Extra Fuel Device
- Sound-Proofing

Accessories

- Different Guards According to Use
- Range of Alternators
- Compression Release
- Remote Air Filter
- Cyclonic Air Prefilter
- Range of Flywheels for Various Clutches
- Hydraulic Pump Adapters
- Range of Fuel Tanks of Various Sizes
- Mufflers and Exhaust Pipes
- Controls
- Pulleys

