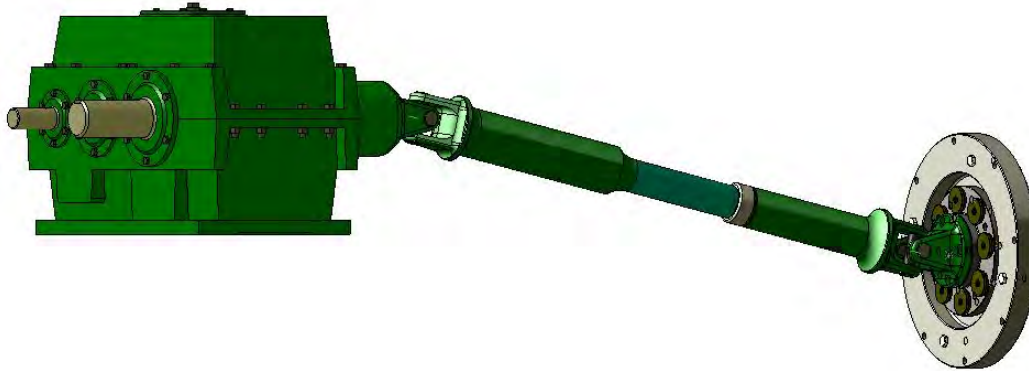
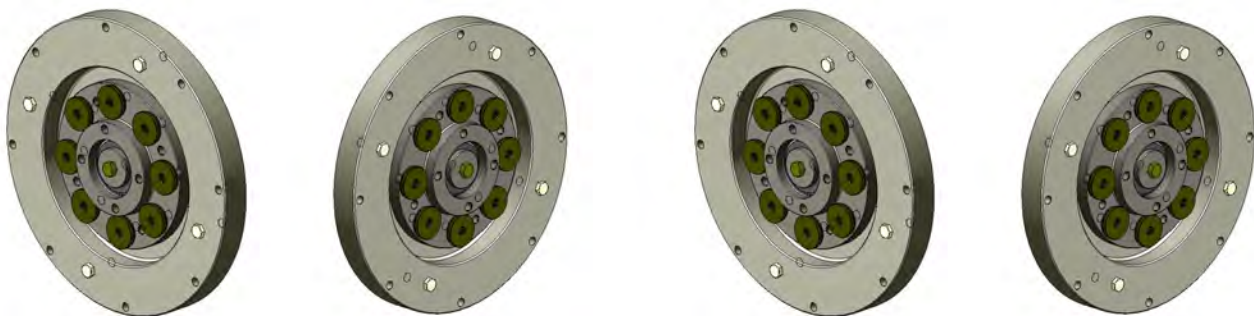




Yoke Flange Couplings



Yoke Flange Couplings



Hayes Manufacturing, Inc.

6875 U.S. 131

Fife Lake, MI 49633

Phone: (231) 879-3372 Fax: (231) 879-4330

Visit us at www.hayescouplings.com



Yoke Flange Couplings

The original idea for this design came about as the result of a customer who had machines with multiple coupling failures. We used their machine during the design and testing process. The result was the yoke flange coupling which, to date, has never failed on the OEM's equipment. This is a coupling you can count on for your toughest diesel application.

Design Characteristics:

Steel Flywheel Plate

- The coupling's flywheel plate can be adjusted for specific inertia requirements.
- Depending on the application, it will be manufactured from a steel burnout or custom forging.
- Precision machined for accurate balance.
- We can design in secondary drive bolts in case of coupling failure (never been used).

Drive Hub

- Support bearing to centralize driving load
- Precisionly machined for accurate balance
- Strongest and largest drive insert that Hayes manufactures
- Multiple yoke mounts available for your drive requirements
- Multiple hub lengths allow for easy installation in any standard SAE or non-standard application

Features and Advantages:

- Absorbs vibration and shock loads, lengthening the life of your pump or gear box components
- Provides a steady dampening effect under load
- Designed for maximum life (when operated at normal engine speeds, torque and alignment)
- Rugged, steel construction
- **Eliminate human error with our easy, one-piece Design (perfect for a production environment)!**
- -40° to +220°F operating temperatures
- Various series for standard SAE flywheels and **Non-standard flywheels (including engine housings)**
- Competitively priced and normally in stock

Applications:

- This one-piece coupling is used on off-highway construction equipment
- Aerial lifts • Telehandlers • Railroad equipment • Hybrid vehicles
- Consult factory for applications not listed

CALL US TO DISCUSS YOUR SPECIFIC APPLICATION REQUIREMENTS

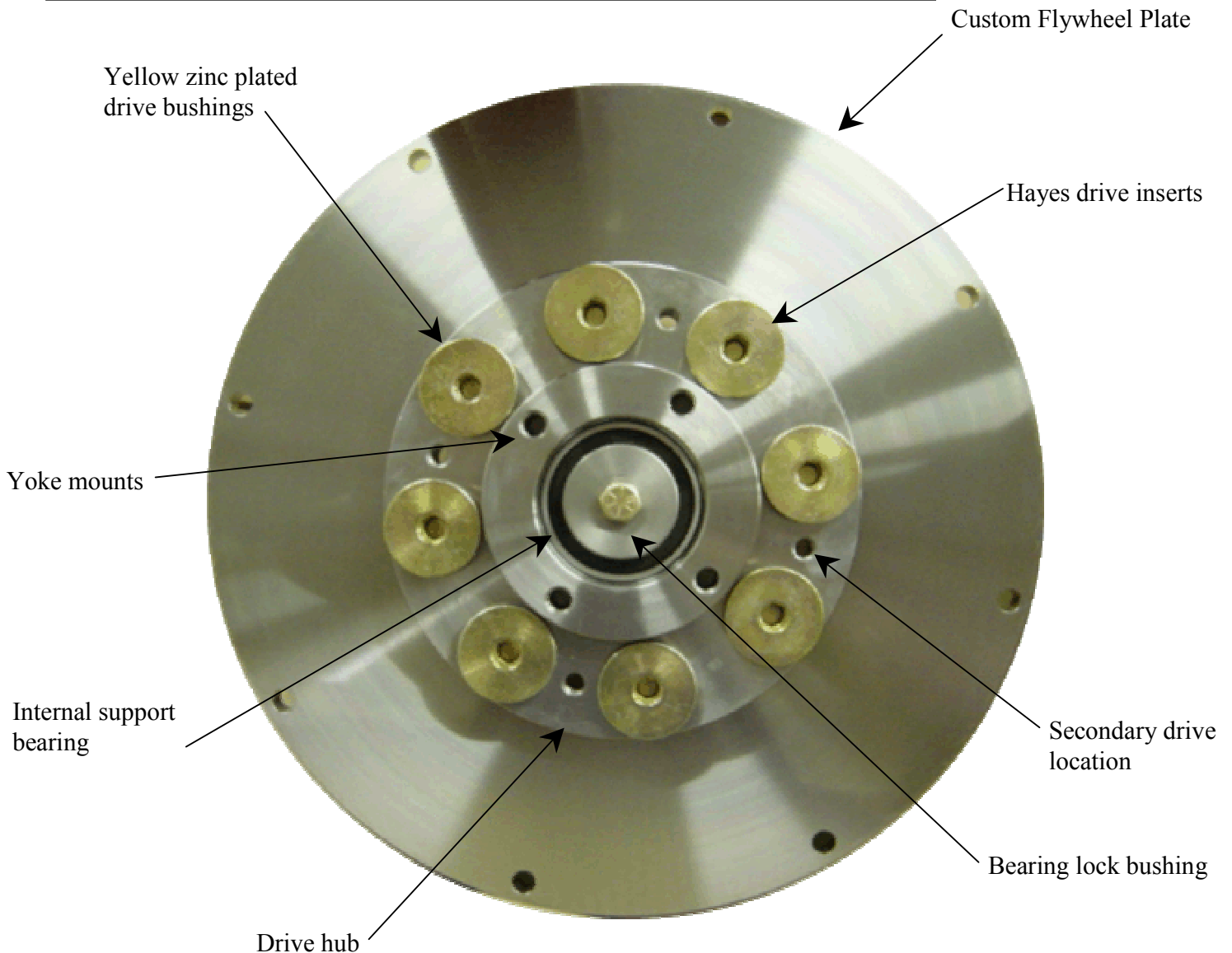
Hayes Manufacturing, Inc.

6875 U.S. 131

Fife Lake, MI 49633

Phone: (231) 879-3372 Fax: (231) 879-4330

Visit us at www.hayescouplings.com



Custom Application Description

The drives can be customized to fit any of your application needs. We've manufactured numerous flywheel plates and drive hubs for specific customer applications. There are thousands of these couplings in service that have been running for a number of years without failure on tough diesel applications. We also supply numerous cover plates to protect the public from the spinning flywheel and coupling. Call the factory today with your specific application.

Hayes Manufacturing, Inc.
6875 U.S. 131
Fife Lake, MI 49633
Phone: (231) 879-3372 Fax: (231) 879-4330
Visit us at www.hayescouplings.com