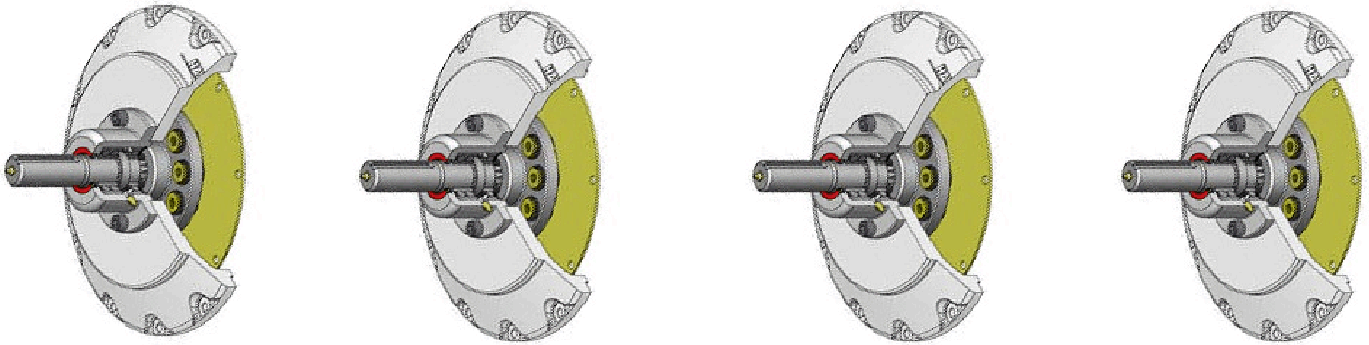




Bearing Supported Stub Shafts



Bearing Supported Stub Shafts

Hayes Manufacturing, Inc.

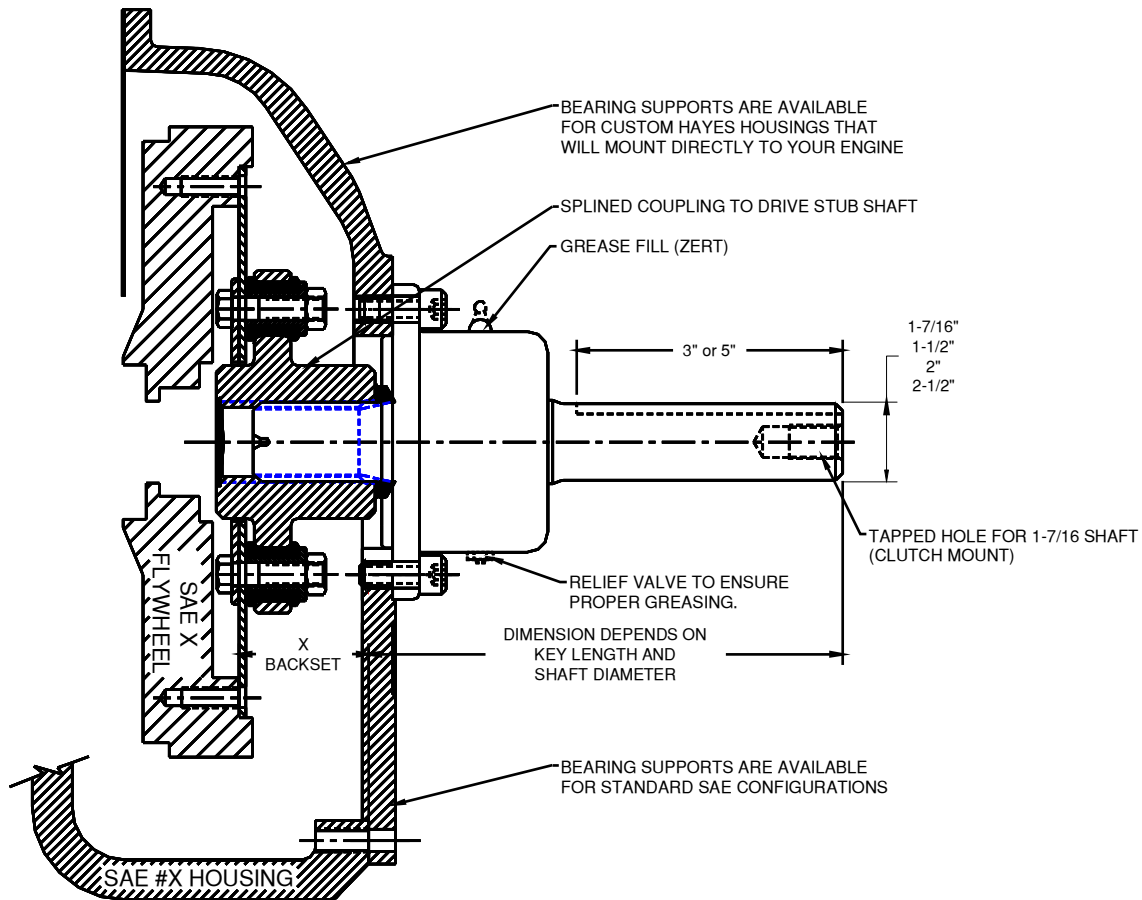
6875 U.S. 131

Fife Lake, MI 49633

Phone: (231) 879-3372 Fax: (231) 879-4330

Visit us at www.hayescouplings.com

THE HAYES BEARING SUPPORTED STUB SHAFT ASSEMBLY IS SPECIFICALLY DESIGNED FOR SIDE LOAD APPLICATIONS



IMPORTANT NOTE: THE HAYES BEARING SUPPORT MUST BE GREASED EVERY 2000 HOURS TO ENSURE PROPER BEARING LIFE!

Specifications

Output: Depends on your application for shaft size and length.

Ratings

Input Torque (max.): 650 lb-ft
Input / Output Speed: 3000 rpm
Power(Max.): 350 HP
Bearings: 3 Years Continuous Running

The Hayes Stub Shaft design employs a single and double roll radial ball bearing designed for light and heavy-duty work, **not to exceed side loads listed in tables 1 through 4**. The bearings are self-contained in our specially designed housing that will keep the assembly free of contamination. Hayes Bearing Supported Stub Shafts come pre-mounted to your specific flywheel housing plate or custom Hayes housing. Along with the mounted bearing support, you will also receive a Hayes Flywheel Coupling that will be sized for your application to drive the bearing support sub-assembly.

We emphasize that the data contained herein should be used as a guide only. The tabulation is based on laboratory tests but does not take into account all variables that can be encountered in actual use. Therefore, it is advisable to test the material under actual service conditions before specification. If this is not practical, tests should be devised that simulate your service conditions as closely as possible.

SEE FOLLOWING TABLES 1 THROUGH 4 FOR SIDE LOAD RATINGS

IMPORTANT: If you have an application that you feel is not covered by this data Please Call to determine what Hayes can offer you. Remember these loads are calculated for 3 years of continuous running. If you are not running the unit 24 hours a day 7 days a week you may be able to have a higher load at higher RPM's.

Side Load Ratings For 1-7/16" Bearing Supported Stub Shaft (Tapped For Centrifugal Clutch)									
	Side Load 1000lbs.	Side Load 1000lbs.	Side Load 1000lbs.	Side Load 1000lbs.	Side Load 1000lbs.	Side Load 950lbs.	Side Load 910lbs.	Side Load 870lbs.	Side Load 810lbs.
	500 rpm	800 rpm	1100 rpm	1400 rpm	1700 rpm	2000 rpm	2300 rpm	2600 rpm	3000 rpm
Basic L-10 Life Hours	91468	57168	41577	32667	26902	26671	26387	26712	28686

TABLE 1

Side Load Ratings For 1-1/2" Bearing Supported Stub Shaft									
	Side Load 1500lbs	Side Load 1240lbs.	Side Load 1160lbs.	Side Load 1075lbs.	Side Load 1000lbs.	Side Load 950lbs.	Side Load 910lbs.	Side Load 870lbs.	Side Load 810lbs.
	500 rpm	800 rpm	1100 rpm	1400 rpm	1700 rpm	2000 rpm	2300 rpm	2600 rpm	3000 rpm
Basic L-10 Life Hours	27102	29984	26636	26296	26902	26671	26387	26712	28686

TABLE 2

Side Load Ratings For 2" Bearing Supported Stub Shaft									
	Side Load 2600lbs	Side Load 2300lbs.	Side Load 2175lbs.	Side Load 2025lbs.	Side Load 1900lbs.	Side Load 1810lbs.	Side Load 1740lbs.	Side Load 1680lbs.	Side Load 1580lbs.
	500 rpm	800 rpm	1100 rpm	1400 rpm	1700 rpm	2000 rpm	2300 rpm	2600 rpm	3000 rpm
Basic L-10 Life Hours	31994	30091	26365	26287	26770	26750	26529	26380	28052

TABLE 3

Side Load Ratings For 2-1/2" Bearing Supported Stub Shaft									
	Side Load 4850lbs.	Side Load 4250lbs.	Side Load 3975lbs.	Side Load 3650lbs.	Side Load 3450lbs.	Side Load 3250lbs.	Side Load 3100lbs.	Side Load 2980lbs.	Side Load 2780lbs.
	500 rpm	800 rpm	1100 rpm	1400 rpm	1700 rpm	2000 rpm	2300 rpm	2600 rpm	3000 rpm
Basic L-10 Life Hours	32314	30014	26679	27075	26404	26847	26901	26789	28597

TABLE 4

Hayes Manufacturing, Inc. Phone(231)879-3372 Fax(231)879-4330
E-Mail: hayes@hayescouplings.com