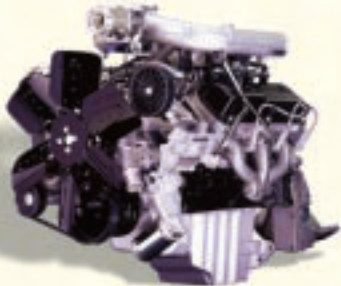


# ESG-642

## 4.2-Litre 6-Cylinder



### Options

#### Conventional and High-Mounted Engine Cooling Fans

- 18.0" (457.2 mm) diameter suction
- 18.0" (457.2 mm) diameter pusher

#### Flywheels

- 10.0", 11.5" (254.0 mm, 292.1 mm) over-center clutch
- 12.0" (304.8 mm) spring-loaded clutch

#### Flywheel Housings

- SAE #3 and #4

#### Power Take-Off (PTO)

- 11.5" (292.1 mm) over-center clutch
- 12.0" (304.8 mm) spring-loaded clutch

#### Exhaust Manifolds

- center dump down
- rear dump down

#### Dry-Type Industrial Air Cleaners

#### Power Steering Pump

#### Oil Cooler

#### Engine Supports (rubber isolated mounts)

#### Wiring Harness

#### Water Pump Mounted Fan

#### Lifting Eyes

#### Instrument Panel, Gauges and Wiring

#### Three Way Catalyst

### Transmissions

Accompanying transmissions are available for the ESG-642 through Ford Power Products.

### Emissions Information

California Air Resources Board (CARB) emissions certification packages available (gasoline). NG and LPG emissions certification currently pending.

### Warranty

Contact Ford Power Products for warranty details.



The Source for Power...  
Worldwide™

### Specifications

Engine Type.....	V-6
Bore and Stroke.....	3.81 in x 3.74 in (96.8 mm x 95.0 mm)
Displacement.....	4.2 Litre (256 CID)
Compression Ratio.....	9.3:1
Oil Capacity.....	6 qts including filter (5.68 litres)
Net Weight.....	403 Lbs. (183 Kgs.)
Base Engine Dimensions.....	H 30.3" x L 29.6" x W 26.7" (771.8 mm x 752.9 mm x 679.7 mm)

### Gasoline (corrected per SAE J1995)

Fuel Specification.....	87 RON/MON
Intermittent Gross Power.....	135 HP @ 3600 RPM (101 kW @ 3600 RPM)
Continuous Gross Power.....	107 HP @ 3000 RPM (80 kW @ 3000 RPM)
Intermittent Gross Torque.....	238 Ft. Lbs. @ 2600 RPM (323 Nm @ 2600 RPM)
Continuous Gross Torque.....	203 Ft. Lbs. @ 2600 RPM (275 Nm @ 2600 RPM)

### Natural Gas (corrected per SAE J1995)

Fuel Specification.....	1050 BTU/FT3
Intermittent Gross Power.....	120 HP @ 3600 RPM (89 kW @ 3600 RPM)
Continuous Gross Power.....	97 HP @ 3000 RPM (71 kW @ 3000 RPM)
Intermittent Gross Torque.....	223 Ft. Lbs. @ 2200 RPM (302 Nm @ 2200 RPM)
Continuous Gross Torque.....	189 Ft. Lbs. @ 2200 RPM (256 Nm @ 2200 RPM)

### Liquefied Petroleum Gas (corrected per SAE J1995)

Fuel Specification.....	ASI Grade HD-5
Intermittent Gross Power.....	134 HP @ 3600 RPM (100 kW @ 3600 RPM)
Continuous Gross Power.....	104 HP @ 3000 RPM (78 kW @ 3000 RPM)
Intermittent Gross Torque.....	240 Ft. Lbs. @ 2200 RPM (325 Nm @ 2200 RPM)
Continuous Gross Torque.....	204 Ft. Lbs. @ 2200 RPM (276 Nm @ 2200 RPM)

### Standard Features / Benefits

Ford Power Products Industrial Electronic Engine Management System to monitor key engine functions using gasoline, NG and LP gas

- Programmable four speed electronic governing, drive-by-wire or variable hand control
- Programmable emergency warning/shut-down feature for high water temperature, low oil pressure, etc.
- Starter lockout
- 4000 RPM safety shutdown
- Automatic altitude compensation
- Sequential port fuel injection (gasoline) with pressure regulator to precisely control fuel delivery

Integrated Ignition Control Module available for NG and LP Gas

Cast Aluminum Cylinder Heads and Intake Manifold for improved power and fuel efficiency

Roller Lifter Camshaft for reduced friction and improved fuel efficiency

Cast Iron Cylinder Block with Four Main Bearing Caps for maximum strength

Internally-Balanced Engine Components and Counter-Rotating Balance Shaft for smoother engine operation

Nodular Iron Crankshaft for durability

Six Quart (with filter) Capacity Aluminum Oil Pan for maximum oil supply

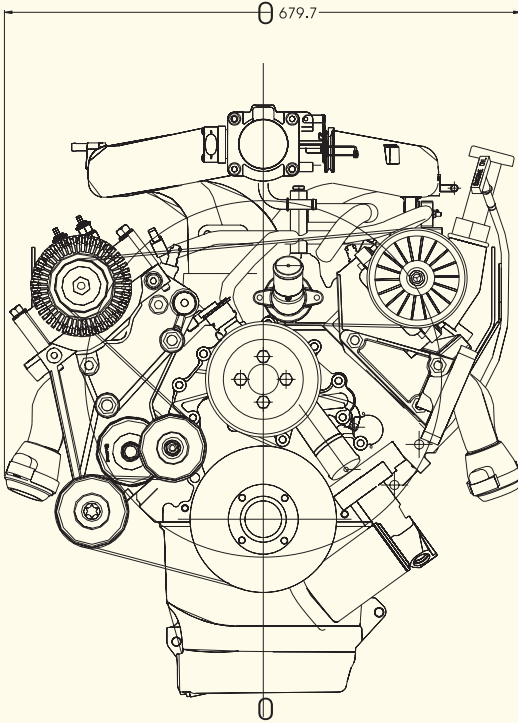
High Flow Oil Pump for long engine life

Composite Rocker Arm Covers for noise reduction

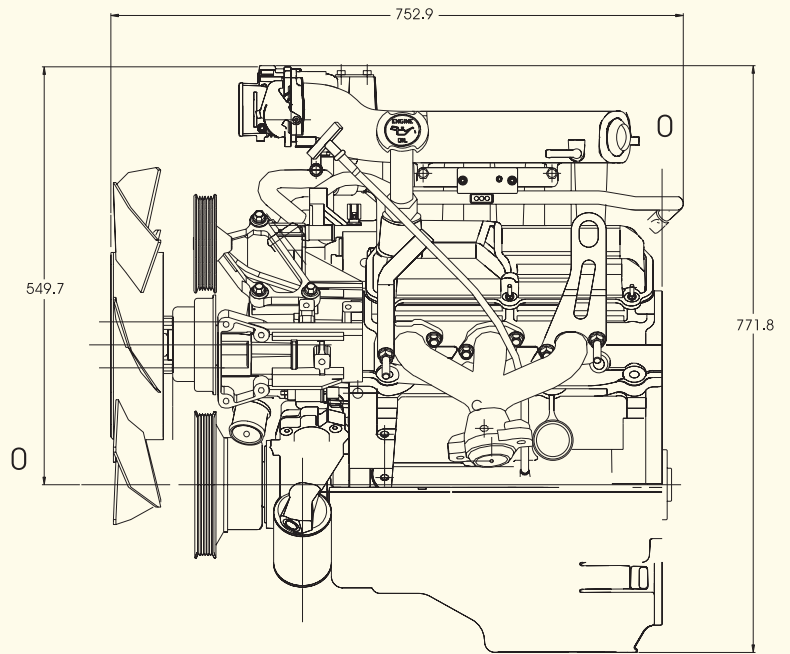
Single Serpentine Accessory Drive Belt and Automatic Tensioner for long maintenance free operation

Hydraulic Valve Tappets for reduced maintenance

Harden Intake and Exhaust Valve Seats and Inserts for multi-fuel capability



Front End View

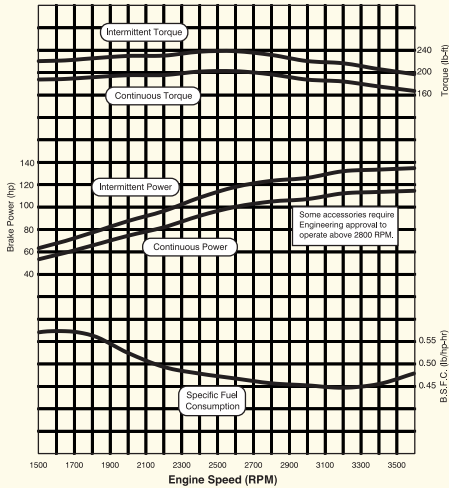


Left Side view

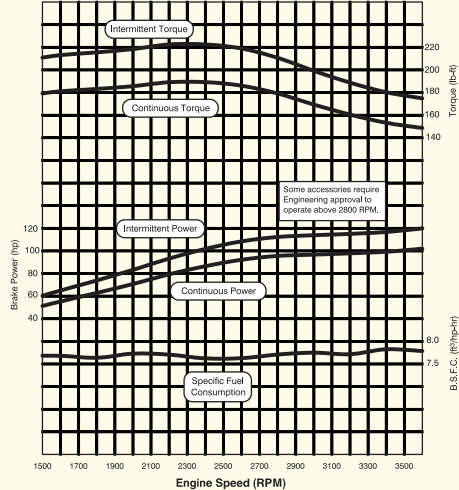
Measurements	mm
--------------	----

## Power Curves (corrected per SAE J1995)

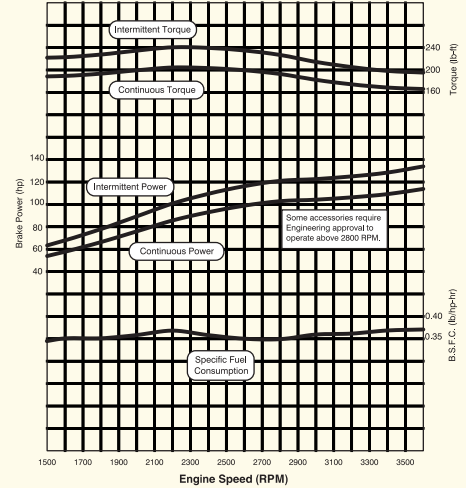
### Gasoline:



### Natural Gas:



### Liquefied Petroleum Gas:



Specifications are subject to change without notice.  
Some Ford engines are produced for Ford by other companies.



The Source for Power...  
Worldwide™

Contact Ford Power Products or your local FPP distributor for additional information

Ford Power Products  
15700 Lundy Parkway Drive  
Suite 200  
Dearborn, Michigan 48126  
Phone: 1-800-833-4773  
Fax: 1-313-619-2600

Ford Power Products GmbH  
Stolberger Str. 313  
D-50933 Köln, Germany  
Phone: 49-221-94700-551  
Fax: 49-221-94700-560

Corporate Web Site: [www.fordpowerproducts.com](http://www.fordpowerproducts.com)

Ford Power Products Ltd.  
20/586 Arisdale Avenue  
South Ockendon  
Essex, RM 15 5TJ England  
Phone: 44-1708-672-678  
Fax: 44-1708-672-349