

LRG-425

Base Industrial
Engine Carbureted
2.5-Litre
4-Cylinder



Powerful
Performance
from one
source.



LRG-425

Base Industrial Engine Carbureted

2.5-Litre 4-Cylinder



Options

Dry-Type Industrial Air Cleaners

Flywheels

- 8.0" (203.2 mm) Over-Center Clutch
- 8.5" (215.9 mm) Spring-Loaded Clutch
- 9.0" (228.6 mm) Spring-Loaded Clutch

Flywheel Housings

- SAE #4 and #5
- Automotive-Style Clutch Housing

Power Take-Off (PTO)

- 9.0" (228.6 mm) Spring-Loaded Clutch

Exhaust Manifolds

- Center Dump Side
- Rear Dump Down

Power Steering Pump

95 Amp Generator

Engine Cooling Fans

- 16.5" (419.1 mm) Diameter Suction
- 16.0" (406.4 mm) Diameter Pusher

Engine Supports (Rubber Isolated Mounts)

Electronic Control Modules (Refer to FPP 192-583)

- Ignition Control Module (ICM)

Wiring Harnesses

- ICM Application

Governors

- Velocity Governor
- Mechanical, Variable Speed or Constant Speed

LRG-425 EFI Engine Also Available (Refer to FPP 192-530)

Transmissions

Accompanying transmissions are available for the LRG-425 through Ford Power Products.

Emissions Information

EPA and ARB emission-certified packages available. Contact FPP or local distributor for specific details.

Warranty

Contact FPP or local distributor for warranty terms.

Specifications

Engine Type.....	I-4
Bore and Stroke.....	3.78 in x 3.40 in (96.0 mm x 86.3 mm)
Displacement.....	2.5 Litre (153 CID)
Compression Ratio	9.37:1
Oil Capacity	4.5 Qts, including filter (4.26 litres)
Net Weight.....	339 Lbs with accessories (154 Kgs)
Dimensions	L 26.5" x W 21.4" x H 26.9" (672.5 mm x 542.4 mm x 682.8 mm)

Gasoline (corrected per SAE J1995)

Fuel Specification.....	87 A.K.I.
Rated Power @ 3600 RPM	Intermittent: 74 HP (55 kW) Continuous: 63 HP (47 kW)
Peak Torque @ 1800 RPM.....	Intermittent: 123 Ft. Lbs. (167 Nm) Continuous: 104 Ft. Lbs. (141 Nm)
Power @ 1800 RPM.....	Intermittent: 42 HP (31 kW) Continuous: 36 HP (27 kW)

Natural Gas (corrected per SAE J1995)

Fuel Specification.....	1050 BTU/FT3
Rated Power @ 3600 RPM.....	Intermittent: 74 HP (55 kW) Continuous: 63 HP (47 kW)
Peak Torque @ 2600 RPM.....	Intermittent: 115 Ft. Lbs. (156 Nm) Continuous: 98 Ft. Lbs. (133 Nm)
Power @ 1800 RPM	Intermittent: 39 HP (29 kW) Continuous: 33 HP (25 kW)

Liquefied Petroleum Gas (corrected per SAE J1995)

Fuel Specification.....	HD-5
Rated Power @ 3600 RPM.....	Intermittent: 84 HP (62 kW) Continuous: 72 HP (54 kW)
Peak Torque @ 1800 RPM.....	Intermittent: 133 Ft. Lbs. (180 Nm) Continuous: 113 Ft. Lbs. (153 Nm)
Power @ 1800 RPM.....	Intermittent: 45 HP (34 kW) Continuous: 38 HP (28 kW)

Standard Features/Benefits

Carbureted Downdraft Fuel System for optimized fuel distribution

Cast Iron Cross Flow-Type Cylinder Heads offering excellent breathing characteristics, increased performance and fuel economy for multi-fuel operation

Cast Iron Cylinder Block with Full-Length Water Jackets resulting in long engine life

Nodular Cast Iron Crankshaft is extremely rigid for increased durability

Overhead Camshaft with Roller Cam Followers for reduced friction and improved fuel efficiency

Pressurized Lubricated Bearings and Tappets with oil mist and splash to cylinder walls and piston rings for maximum internal component lubrication

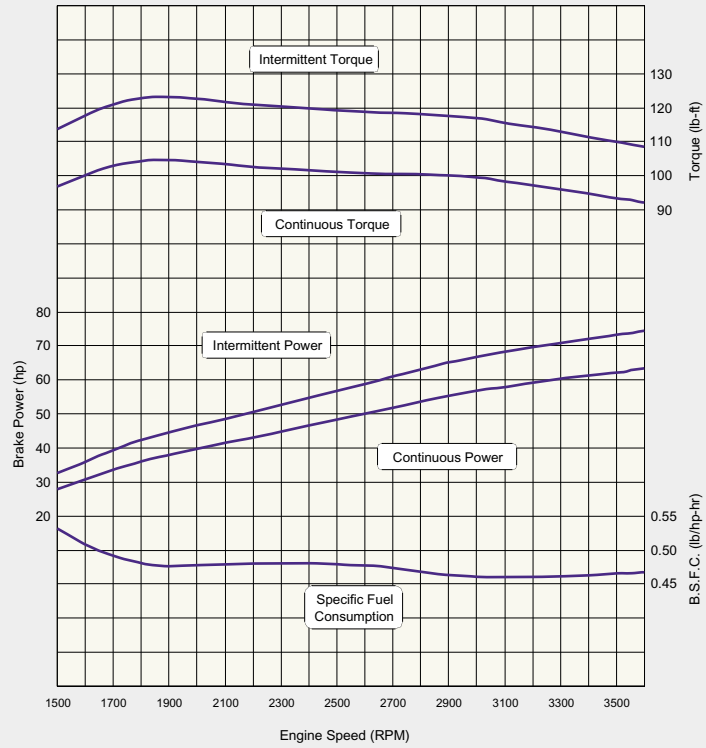
Pressure-Type Bypass Circulation Cooling System for maximum cooling control

Water Pump Delivery of 24.4 gal./min. (92.3 litre) at Pump RPM of 2800 ensures a generous protective engine cooling range

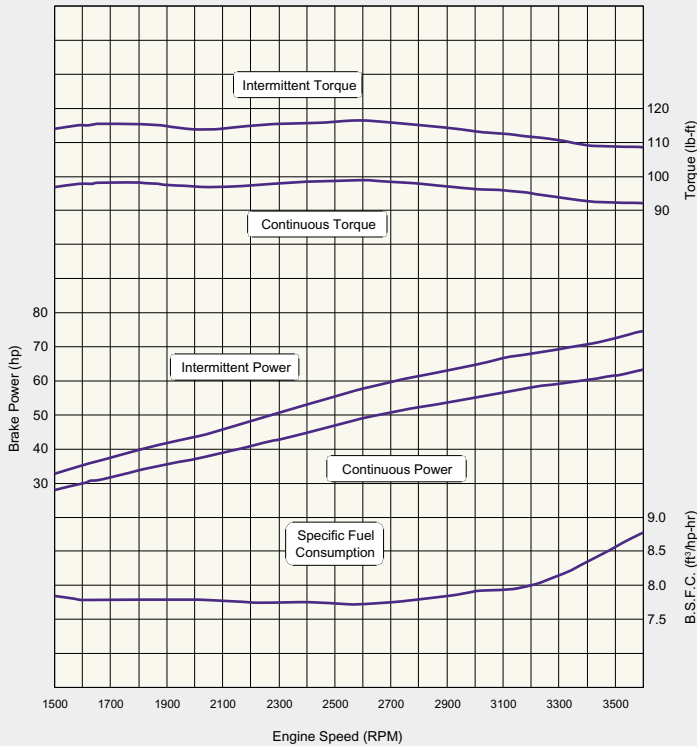


Power Curves (corrected per SAE J1995)

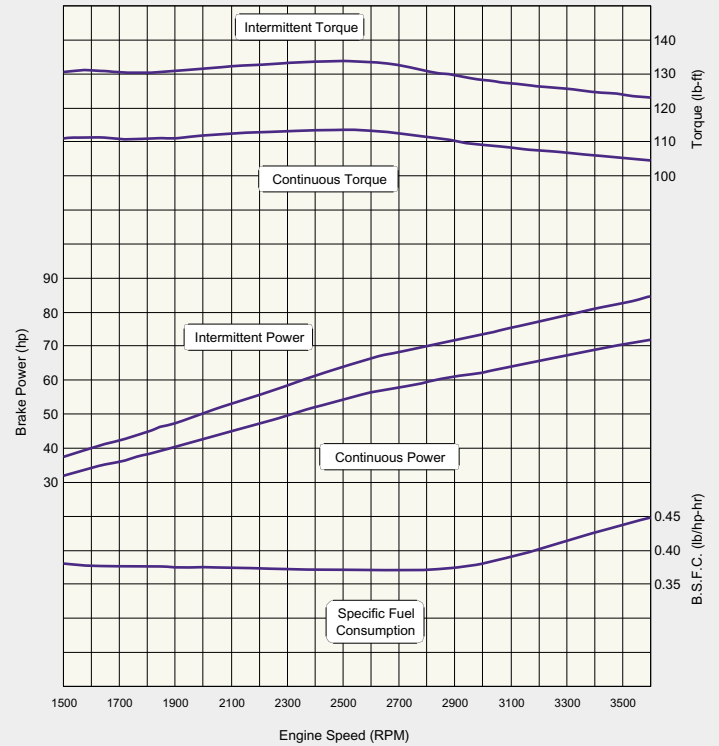
Gas



Natural Gas

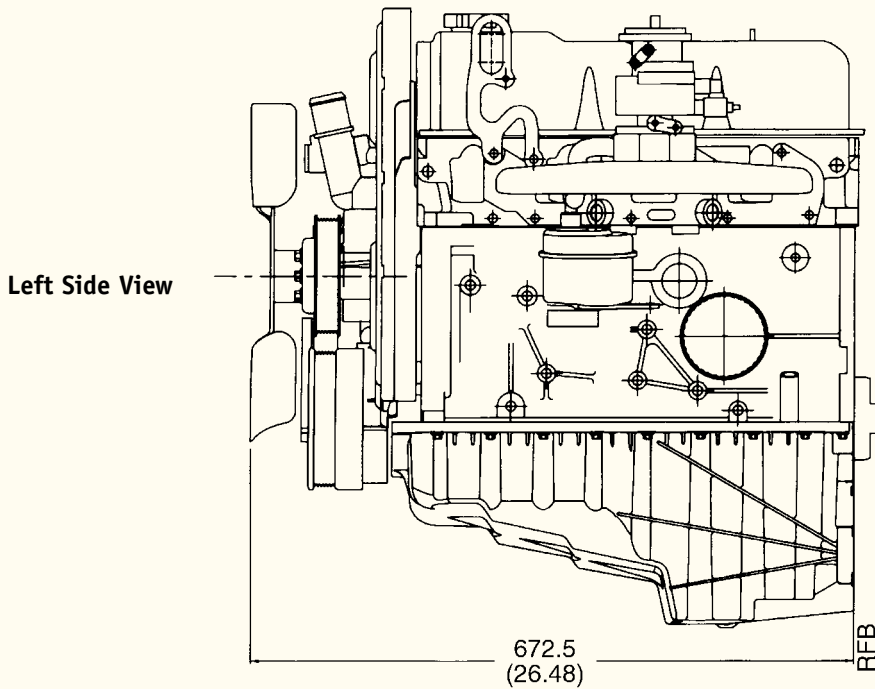
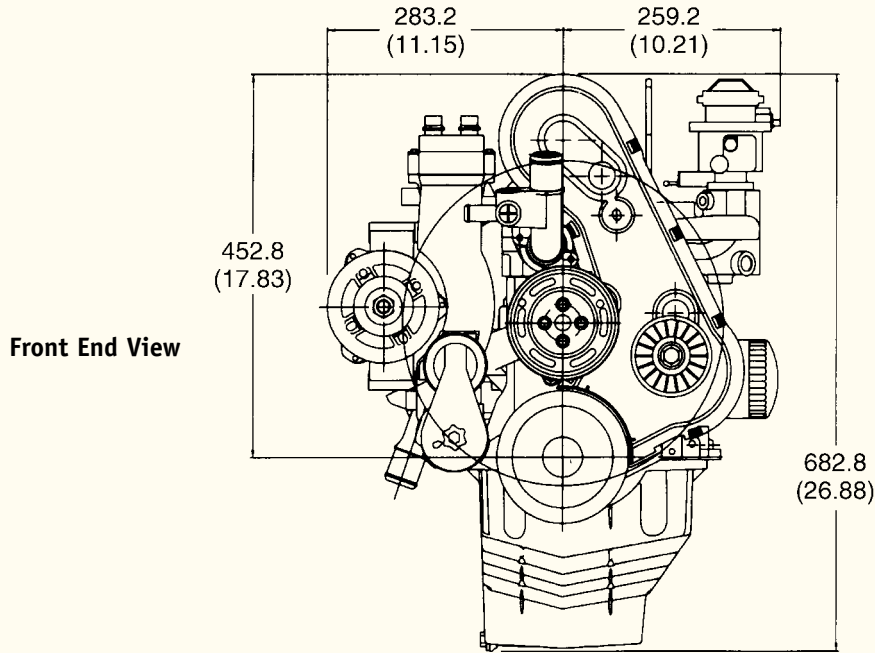


Liquefied Petroleum Gas



Above power curves utilized the FPP ICM.

Installation Drawings



Measurements	mm (in)
--------------	------------



Corporate Web Site:
www.fordpowerproducts.com

Contact Ford Power Products or your local
FPP distributor for additional information.

Ford Power Products
15700 Lundy Parkway Drive
Suite 200
Dearborn, Michigan 48126
Phone: 1-800-833-4773
Fax: 1-313-619-2600

Ford Power Products
Trafford House
Station Way
Basildon, Essex, SS16 5XX England
Phone: 44 (0)1268 704181
Fax: 44 (0)1268 702121